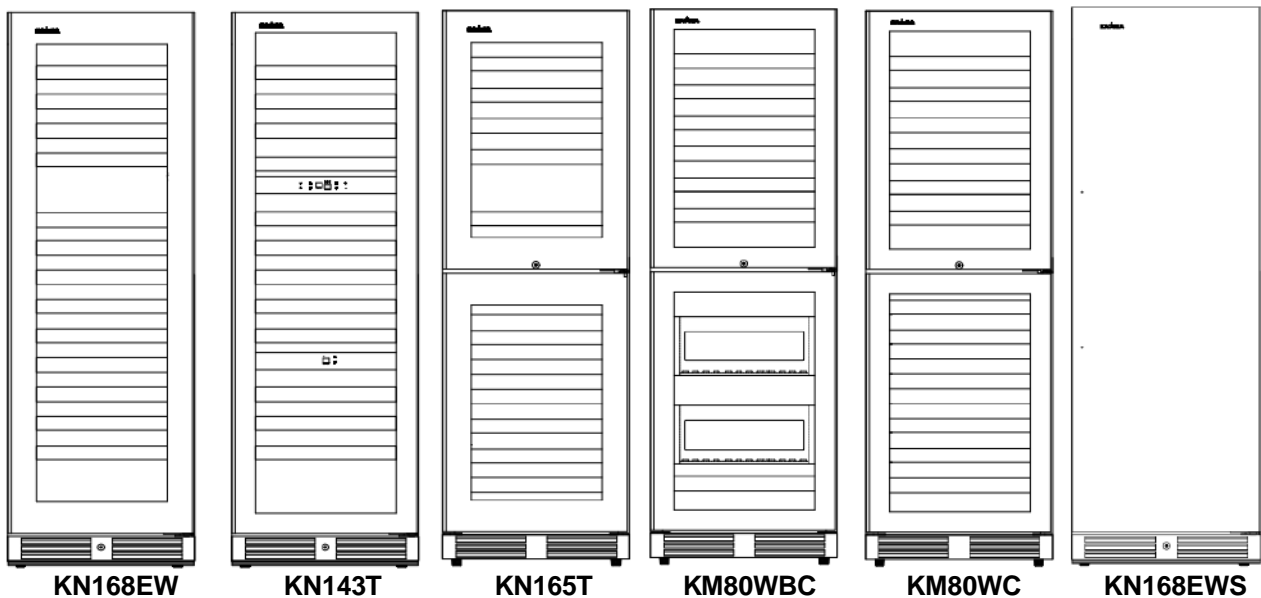
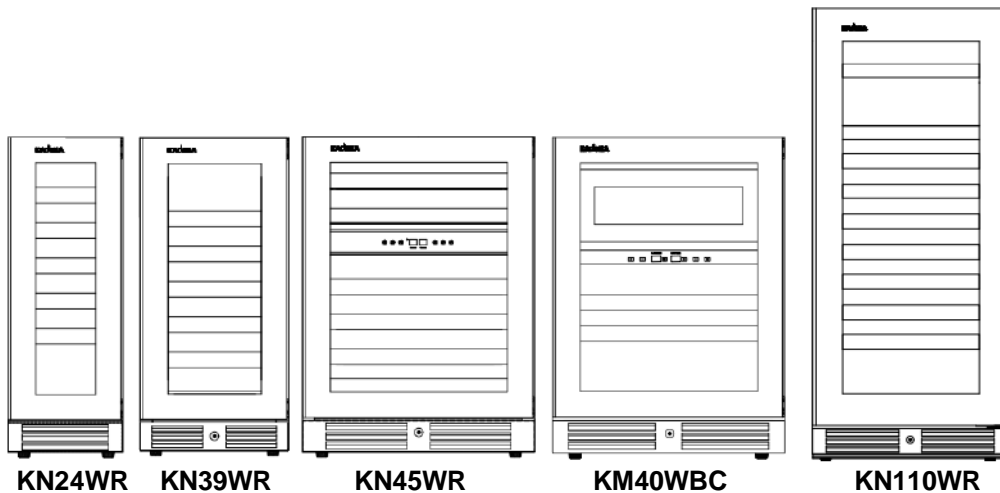


# KADEKA

## Wine Chiller

### INSTRUCTION MANUAL

Model Number: KN24WR / KN39WR / KN45WR / KM40WBC  
KN110WR / KN168EW / KN143T / KN165T / KM80WBC / KM80WC / KN168EWS



**BEFORE USE, PLEASE READ AND FOLLOW ALL SAFETY RULES AND OPERATING INSTRUCTIONS.**

## WARNING!

- To prevent damaging the door gasket, make sure to have the door all the way opened when pulling shelves out of the rail compartment.
- The appliance must be positioned so that the plug is accessible. Release the electric cord. Move your cabinet to its final location. Do not move your Cabinet while loaded with wine. You might distort the body. The Wine Chiller should be installed in a suitable place in order to avoid Touching the compressor with the hand.
- This appliance is not intended for use by persons (including children) with reduced physical, sensory or mental capabilities, or lack of experience and knowledge, unless they have been given supervision or instruction concerning use of the appliance by a person responsible for their safety.
- Children should be supervised to ensure that they do not play with the appliance.
- If the supply cord is damaged, it must be replaced by manufacturer of its Service agent or a similarly qualified person in order to avoid a hazard.

This appliance can be used by children aged from 8 years and above and persons with reduced physical, sensory or mental capabilities or lack of experience and knowledge if they have been given supervision or not play with the appliance. Cleaning and user maintenance shall not be made by children without supervision.

– **WARNING:** Keep ventilation openings, in the appliance enclosure or in the built-in structure, clear of obstruction.

– **WARNING:** Do not use mechanical devices or other means to accelerate the defrosting process, other than those recommended by the manufacturer.

– **WARNING:** Do not damage the refrigerant circuit.

– **WARNING:** Do not use electrical appliances inside the food storage compartments of the appliance, unless they are of the type recommended by the manufacturer.

This refrigerating appliance is not suitable for freezing foodstuffs.

Do not store explosive substances such as aerosol cans with a flammable propellant in this appliance.

This appliance is intended to be used in household and similar applications such as

– staff kitchen areas in shops, offices and other working environments;

– farm houses and by clients in hotels, motels and other residential type environments;

– bed and breakfast type environments;

– catering and similar non-retail applications.

– **WARNING:** To avoid a hazard due to instability of the appliance, it must be fixed in accordance with the instructions.

To avoid contamination of wine, please respect the following instructions:

– Opening the door for long periods can cause a significant increase of the temperature in the compartments of the appliance.


– Clean regularly surfaces that can come in contact with bottles and accessible drainage systems.

– Clean water tanks if they have not been used for 48 h; flush the water system connected to a water supply if water has not been drawn for 5 days.

– If the refrigerating appliance is left empty for long periods, switch off, defrost, clean, dry, and leave the door open to prevent mould developing within the appliance.

**PLEASE DON'T TRY TO PLUG INTO OR EXTENSION THE CABLE IN ANY CASE.**

## IMPORTANT SAFETY INSTRUCTIONS

 <b>WARNING</b>	<p>To reduce the risk of fire, electrical shock, or injury when using your appliance, follow these basic precautions:</p>
<ul style="list-style-type: none"> <li>• Read all instructions before using the Wine Chiller.</li> <li>• <b>DANGER or WARNING:</b> Risk of child entrapment. Child entrapment and suffocation are not problems of the past. Junked or abandoned appliances are still dangerous . . . even if they will “just sit in the garage a few days”.</li> <li>• <b>Before you throw away your old Wine Chiller:</b> Take off the door. Leave the shelves in place so that children may not easily climb inside.</li> <li>• Never allow children to operate, play with, or crawl inside the appliance.</li> <li>• Never clean appliance parts with flammable fluids. The fumes can create a fire hazard or explosion.</li> <li>• Do not store or use gasoline or any other flammable vapors and liquids in the vicinity of this or any other appliance. The fumes can create a fire hazard or explosion. Do not store explosive substances such as aerosol cans with a flammable propellant in this appliance.</li> <li>• <b>WARNING:</b> keep ventilation openings, in the appliance enclosure or in the built-in structure, clear of obstruction;</li> <li>• Do not use mechanical devices or other means to accelerate the defrosting process, other than those Recommended by the manufacturer;</li> <li>• <b>WARNING:</b> To avoid a hazard due to instability of the appliance, it must be fixed in accordance with the instructions.</li> <li>• <b>WARNING:</b> Do not damage the refrigerant circuit;</li> <li>• <b>WARNING:</b> Do not use electrical appliances inside the food storage compartments of the appliance, unless they are the type recommended by the manufacturer.</li> </ul> <p>(1) This appliance can be used by children aged from 8 years and above and persons with reduced physical, sensory or mental capabilities or lack of experience and knowledge if they have been given supervision or instruction concerning use of the appliance in a safe way and understand the hazards involved. Children shall not play with the appliance. Cleaning and user maintenance shall not be made by children without supervision.</p> <p>(2) Children should be supervised to ensure that they do not play with the appliance.</p> <p>(3) This appliance uses flammability refrigerant, please secure the cooling pipe during the delivery process. Position the Wine Chiller away from direct sunlight and sources of heat (stove, heater, radiator, etc.). Never clean appliance parts with flammable fluids. The fumes can create a fire hazard or explosion. When disposing your appliance, please choose an authorized disposal site.</p> <p>(4) The appliance must be positioned ensure the plug is accessible.</p> <p>(5) Do not store or use gasoline or any other flammable vapors and liquids in the vicinity of this or any other appliance. The fumes can create a fire hazard or explosion.</p> <p>(6) This appliance is intended to be used in household and similar applications such as:</p> <ul style="list-style-type: none"> <li>- Staff kitchen areas in shops, offices and other working environments;</li> <li>- Farm houses and by clients in hotels, motels and other residential type environments;</li> <li>- Bed and breakfast type environments;</li> <li>- Catering and similar non-retail applications</li> </ul> <p>(7) <b>Warning:</b> Keep ventilation openings in the appliance enclosure or in the built-in structure, clear of obstruction;</p> <p>(8) <b>Warning:</b> Do not use mechanical devices or other means to accelerate the defrosting process, other than those recommended by the manufacturer;</p> <p>(9) <b>Warning:</b> Do not damage the refrigerant circuit;</p> <p>(10) <b>Warning:</b> Do not use electrical appliances inside the food storage compartments of the appliance, unless they are the type recommended by the manufacturer.</p>	

(11) The instructions for refrigerating appliances and ice-makers shall include the substance of the following .

**WARNING:** When positioning the appliance ensure the supply cord is not trapped or damaged

**WARNING:** Do not locate multiple portable socket-outlets or portable power supplies at the rear of the appliance.

- **If the refrigerant of these appliances are R600a , Flammable and explosive articles should not be put in or near the cabinet, to avoid the fire or explode caused.**



**-Save these instructions-**

# INSTALLATION INSTRUCTIONS

## ➤ **Before Using Your Wine Chiller**

- Remove the exterior and interior packing.
- Before connecting the Wine Chiller to the power source, let it stand upright for approximately 2 hours. This will reduce the possibility of a malfunction in the cooling system from handling during transportation.
- Clean the interior surface with lukewarm water using a soft cloth.
- This appliance is intended to be used in household and similar applications such as
  - Staff kitchen areas in shops, offices and other working environments;
  - Farm houses and by clients in hotels, motels and other residential type environments;
  - Bed and breakfast type environments;
  - Catering and similar non-retail applications.
- When disposing your appliance, please choose an authorized disposal site.

## ➤ **Installation of Your Wine Chiller**

- This appliance is designed to be for free standing installation or built-in (fully recessed) (Refer to sticker location the back of this appliance).
- **This appliance is intended to be used exclusively for the storage of wine .**
- Place your Wine Chiller on a floor that is strong enough to support it when it is fully loaded. To level your Wine Chiller, adjust the front leveling leg at the bottom of the Wine Chiller.
- This appliance is using flammability refrigerant. So never damage the cooling pipework during the transportation. Locate the Wine Chiller away from direct sunlight and sources of heat (stove, heater, radiator, etc.). Direct sunlight may affect the acrylic coating and heat sources may increase electrical consumption. Extreme cold ambient temperatures may also cause the unit not to perform properly.
- Avoid locating the unit in moist areas.
- Plug the Wine Chiller into an exclusive, properly installed-grounded wall outlet. Do not under any circumstances cut or remove the third (ground) prong from the power cord. Any questions concerning power and/or grounding should be directed toward a certified electrician or an authorized Products service center.
- Door handles, door hinges, trays and baskets for a minimum period of seven years and door gaskets for a minimum period of 10 year, after placing the last unit of the model on the market.
- Thermostats, temperature sensors, printed circuit boards and light sources are available for a minimum period of seven years after placing the last unit of the model on the market.

## ➤ **Attention**

- Store wine in sealed bottles;
- Do not overload the cabinet;
- Do not open the door unless necessary;
- Do not cover shelves with aluminum foil or any other shelf material which may prevent air circulation;
- Should the Wine Chiller be stored without use for long periods it is suggested, after a careful cleaning, to leave the door ajar to allow air to circulate inside the cabinet in order to avoid possible formations of condensation, mold or odors.

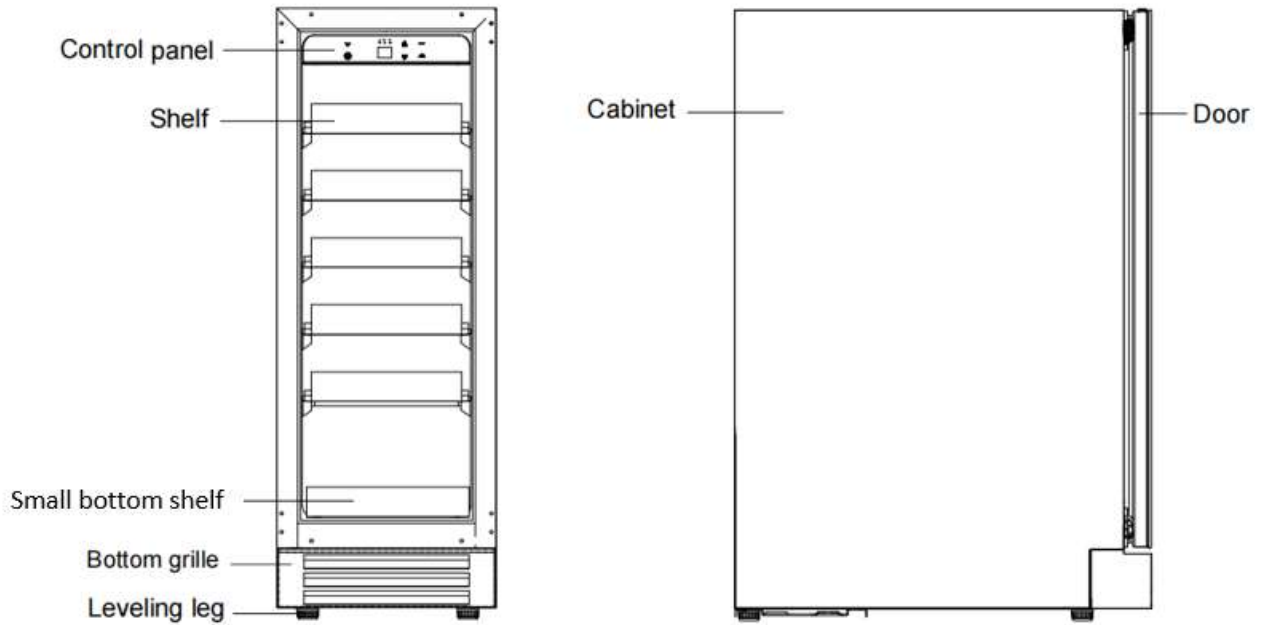
## ➤ **Ambient Room Temperature Limits**

This appliance is designed to operate in ambient temperatures specified by its temperature class marked on the rating plate.

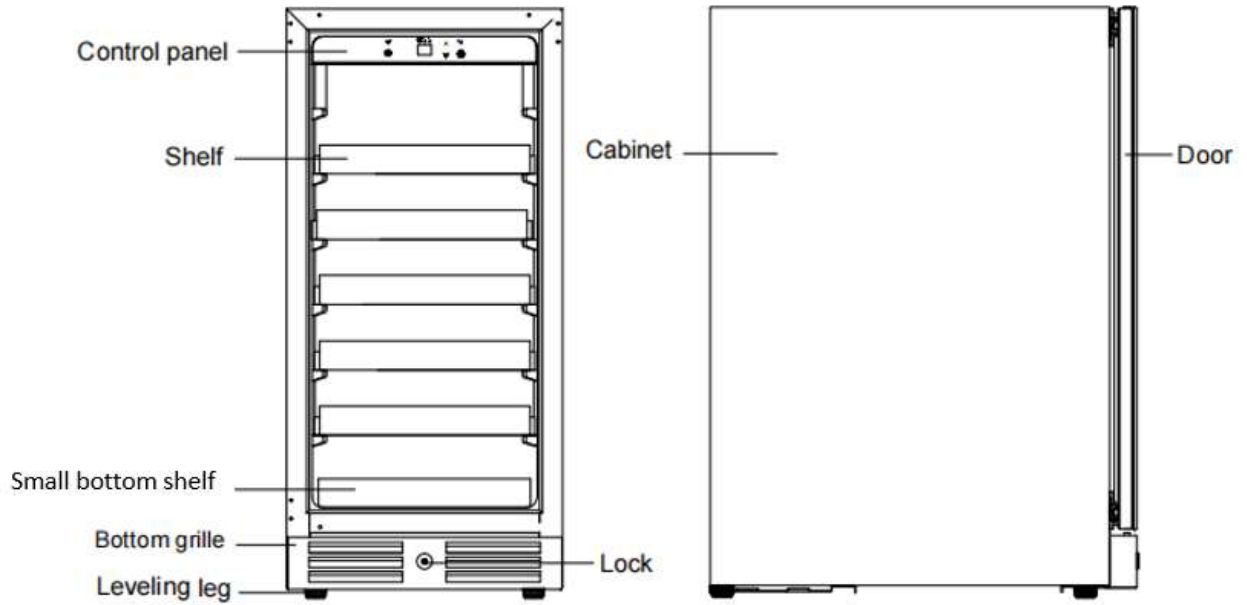
Class	Symbol	Ambient Temperatures range(°C)
Extended Temperate	SN	+ 10 to + 32
Temperate	N	+ 16 to + 32
Subtropical	ST	+ 16 to + 38
Tropical	T	+ 16 to + 43

# PARTS & FEATURES

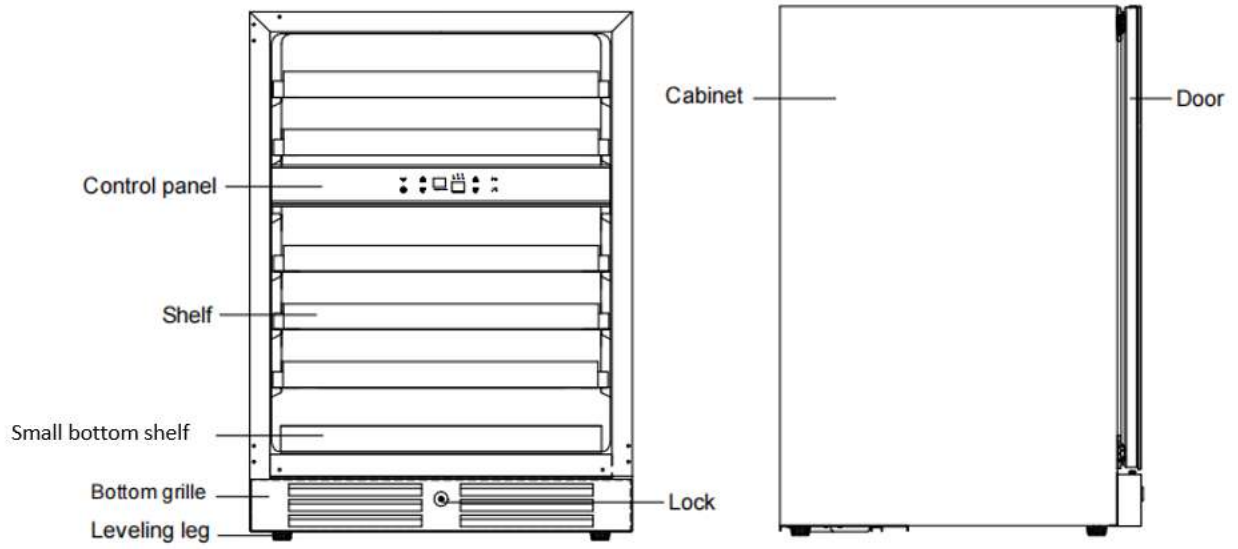
## KN24WR



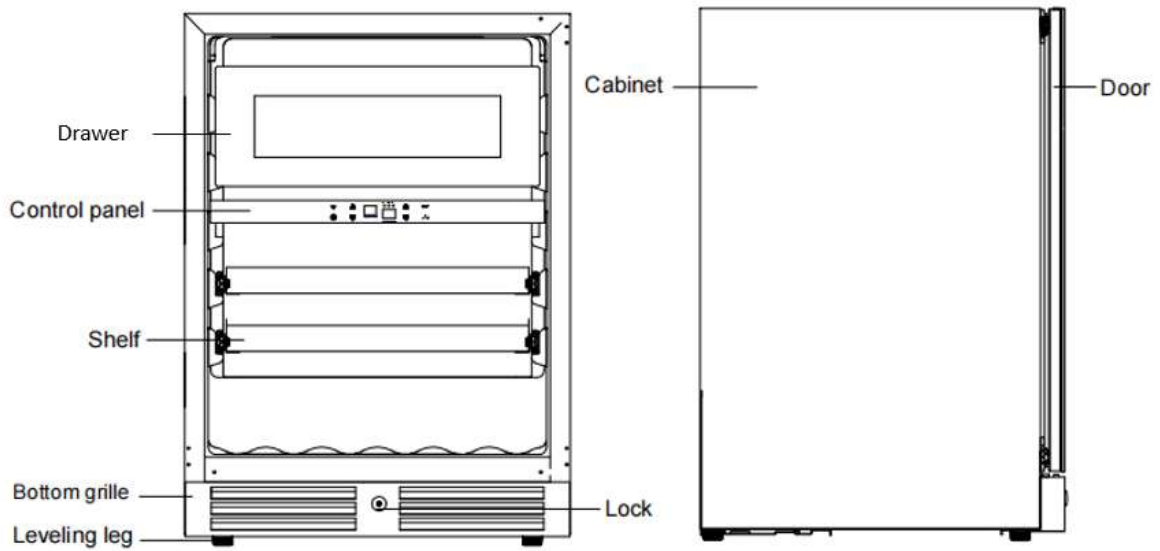
## KN39WR



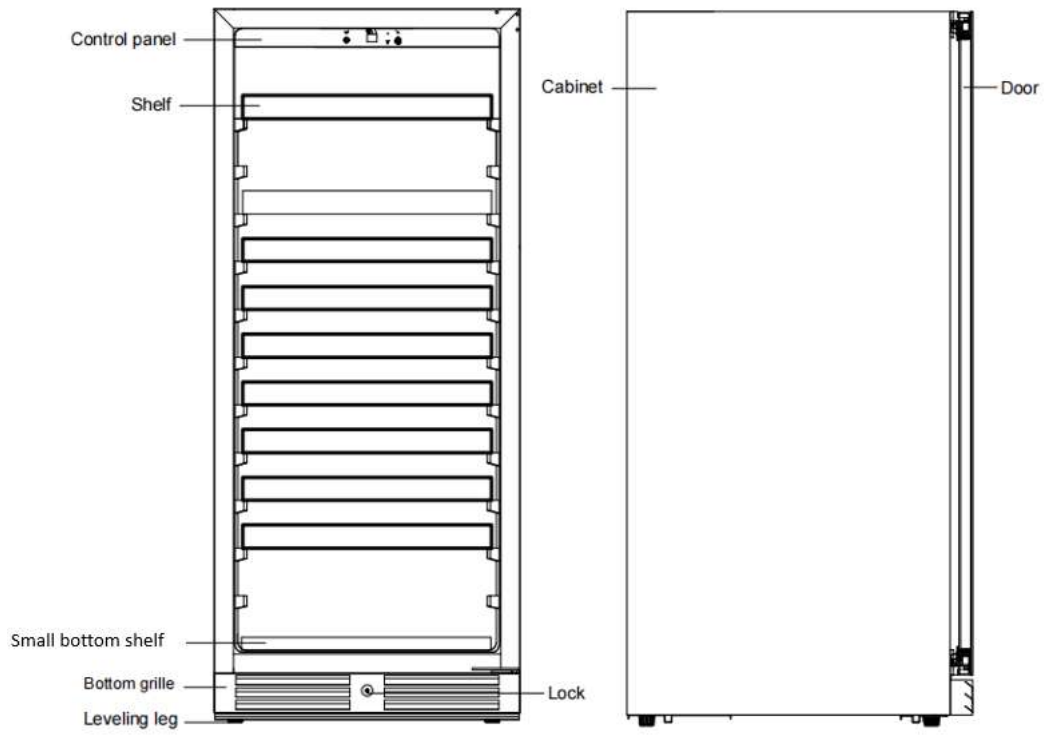
## KN45WR



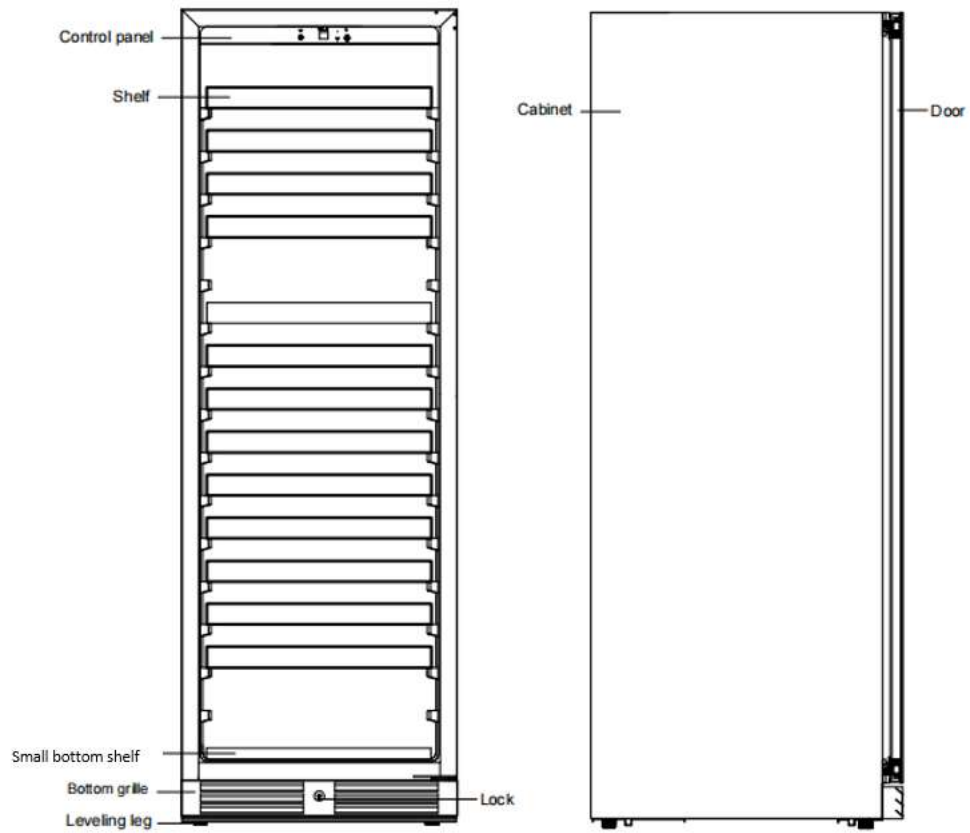
## KM40WBC



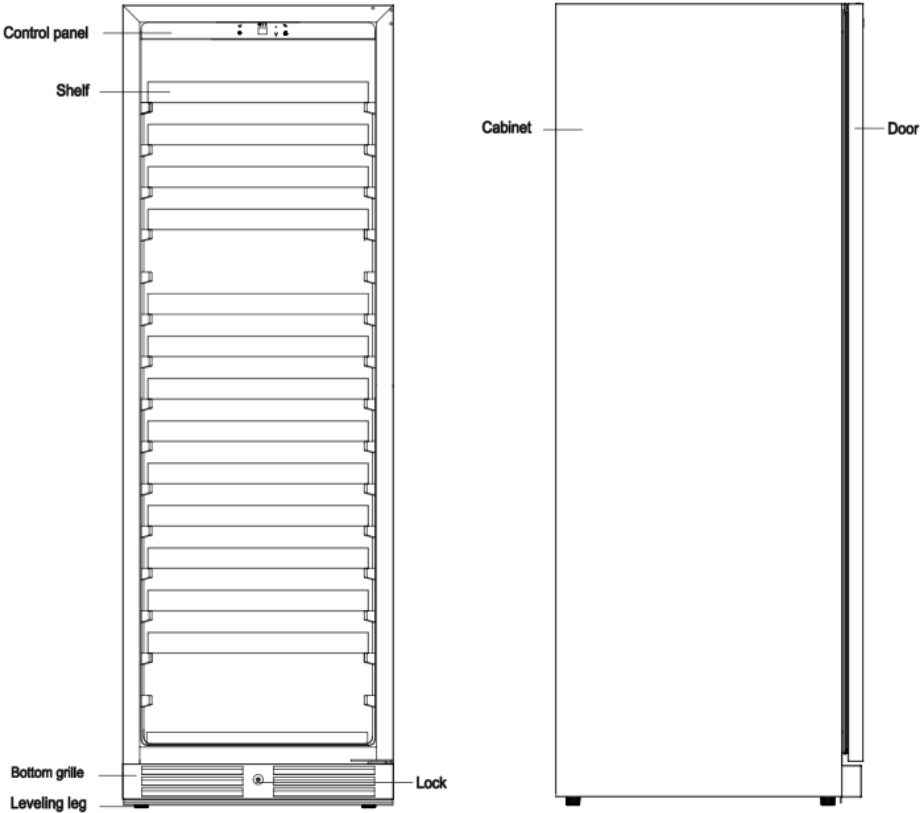
## KN110WR



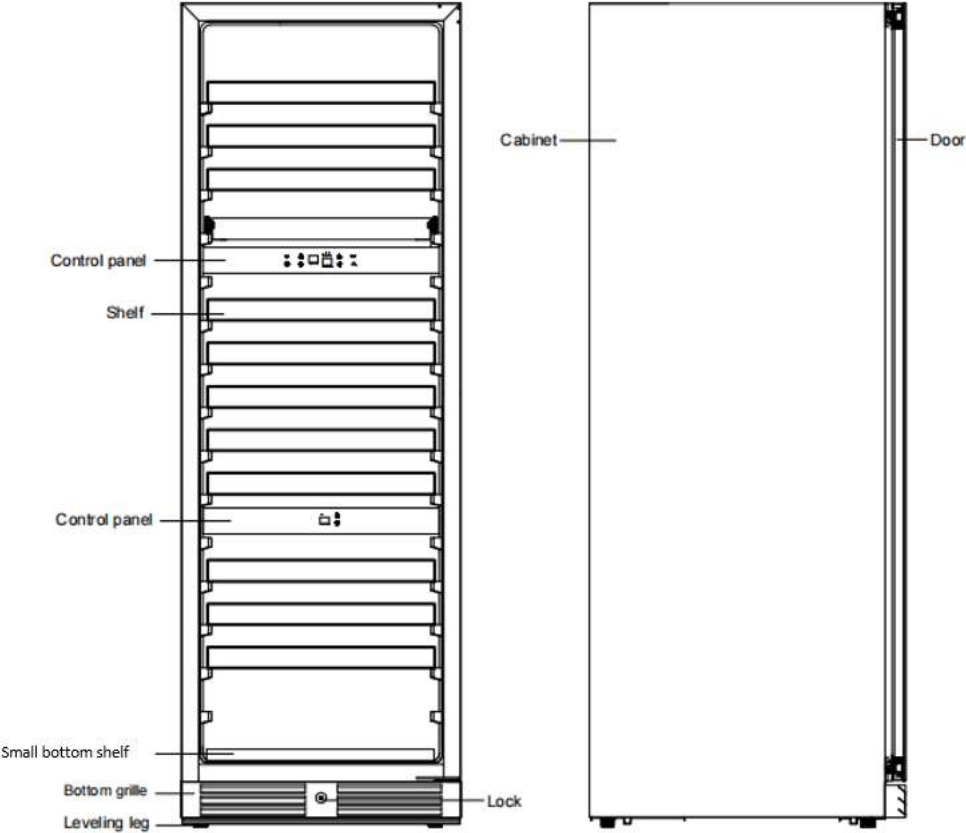
## KN168EW



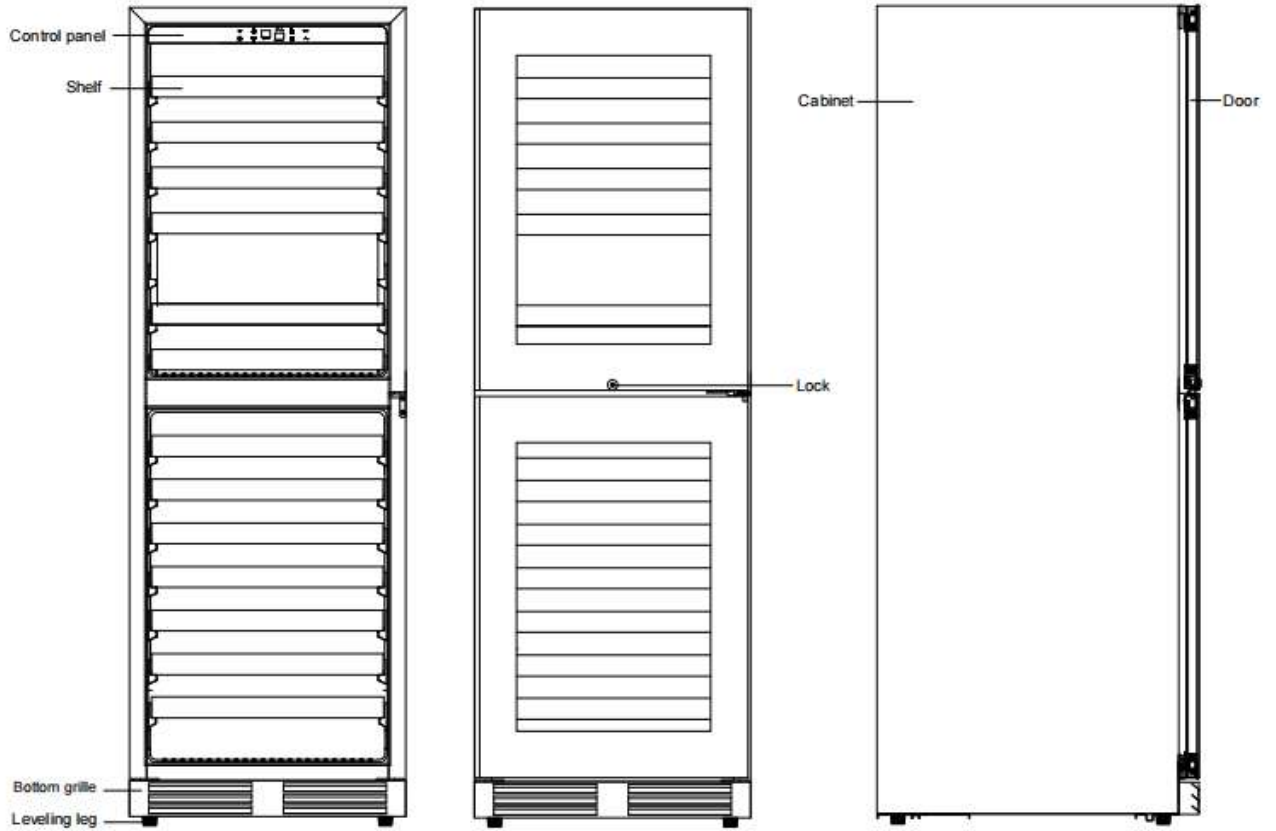
**KN168EWS**



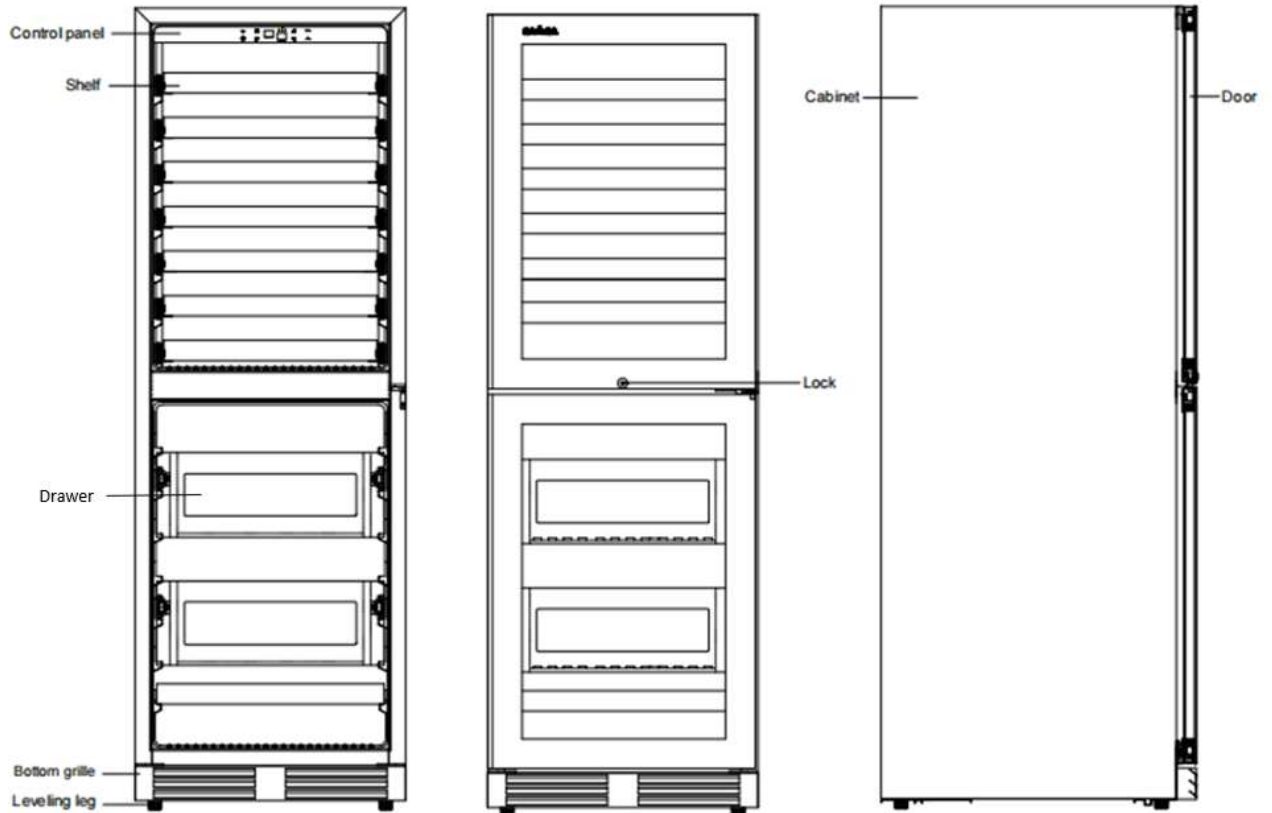
**KN143T**



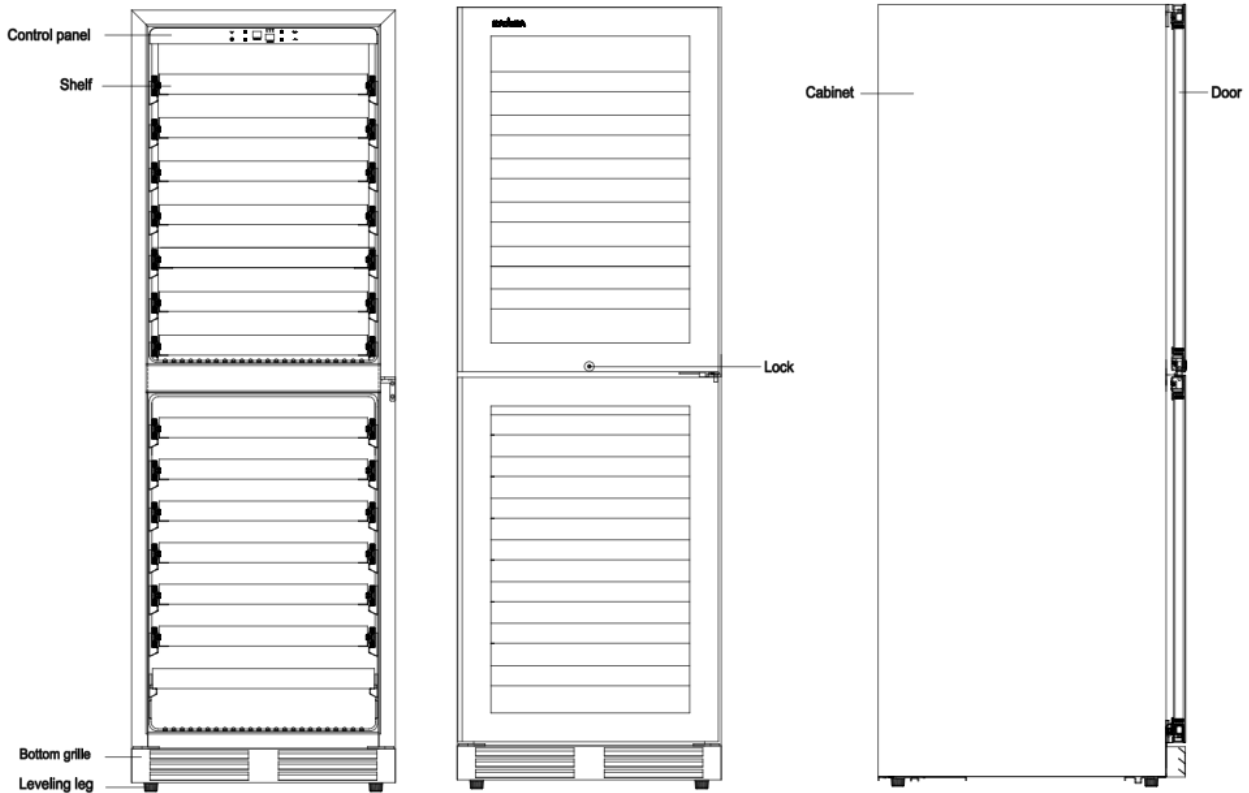
### KN165T



### KM80WBC



## KM80WC

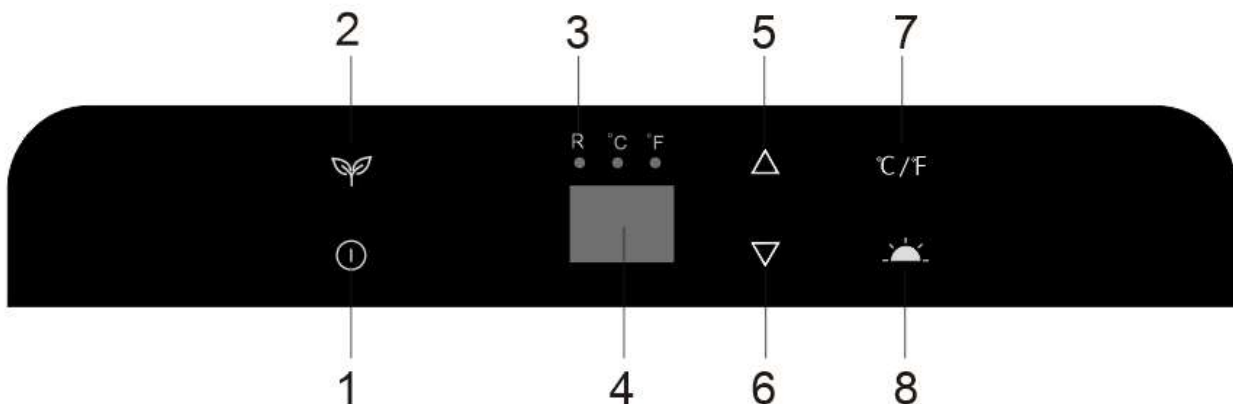


## OPERATING YOUR WINE CHILLER

The Wine Chiller should be placed in where the ambient temperature is below 35°C. If the ambient temperature is above this range, the performance of the unit may be affected and may cause interior temperatures to fluctuate. The range of setting temperatures may not be reached.

### ➤ The controls of your Wine Chiller

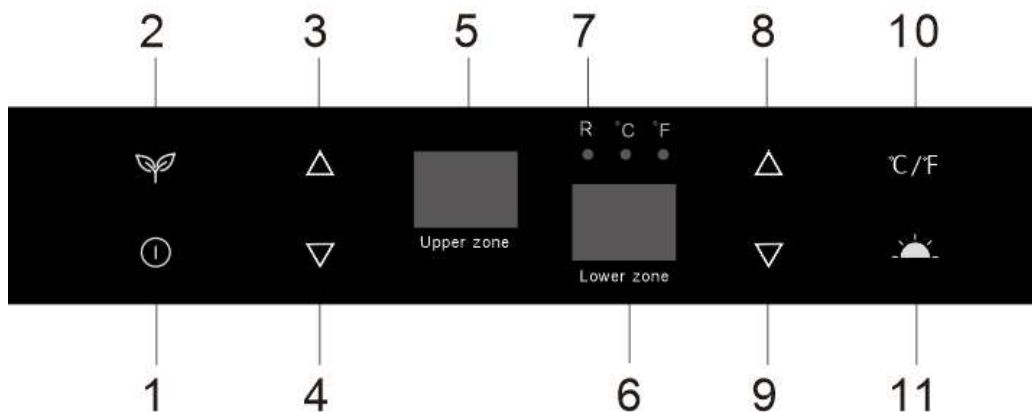
**For KN24WR, KN39WR, KN110WR, KN168EW, KN168EWS**



The temperature setting can be adjusted from 5°C ~18°C.

1. Press and hold this button for three seconds to power your unit on or off.
2. Sabbath mode button
3. While the unit is on, the R light may illuminate to indicate the internal compressor is active.
4. Displays the actual temperature.
5. Press this button to increase the temperature by one (1) degree increment.
6. Press this button to decrease the temperature by one (1) degree increment.
7. Press this button to switch the display temperature between Fahrenheit and Celsius.
8. Press and hold this button for three seconds to power your light on or off. Press this button to cycle through the different internal light settings. There are three light settings: White, Blue and Amber.

**For KN45WR**

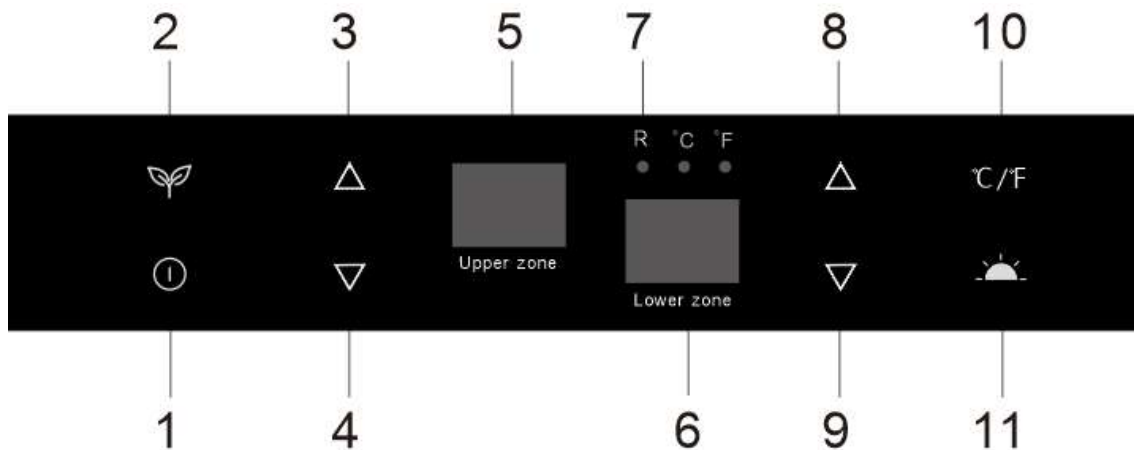


Upper zone – temperature range 5°C to 12°C

Lower zone – temperature range 12°C to 18°C

1. Press and hold this button for three seconds to power your unit on or off.
2. Sabbath mode button.
3. Press this button to increase the temperature by one (1) degree increment for upper zone.
4. Press this button to decrease the temperature by one (1) degree increment for upper zone.
5. Display the actual temperature for upper zone.
6. Display the actual temperature for lower zone.
7. While the unit is on, the R light may illuminate to indicate the internal compressor is active.
8. Press this button to increase the temperature by one (1) degree increments for lower zone.
9. Press this button to decrease the temperature by one (1) degree increments for lower zone.
10. Press this button to switch the display temperature between Fahrenheit and Celsius.
11. Press and hold this button for three seconds to power your light on or off. Press this button to cycle through the different internal light settings. There are three light settings: White, Blue and Amber.

## For KM40WBC



The temperature setting can be adjusted from 5°C ~18°C.

1. Press and hold this button for three seconds to power your unit on or off.
2. Sabbath mode button.
3. Press this button to increase the temperature by one (1) degree increment for upper zone.
4. Press this button to decrease the temperature by one (1) degree increment for upper zone.
5. Display the actual temperature for upper zone.
6. Display the actual temperature for lower zone.
7. While the unit is on, the R light may illuminate to indicate the internal compressor is active.
8. Press this button to increase the temperature by one (1) degree increment for lower zone.
9. Press this button to decrease the temperature by one (1) degree increment for lower zone.
10. Press this button to switch the display temperature between Fahrenheit and Celsius.
11. The internal lights will illuminate each time the door is opened and fade off once the door is closed. Press this button to cycle through the different internal light settings. There are three light settings: White, Blue or Amber.

You can choose to display each color of light in two different modes: Display mode and Automatic Mode. Press the light button for 3 seconds to switch to Display Mode or Automatic Mode.

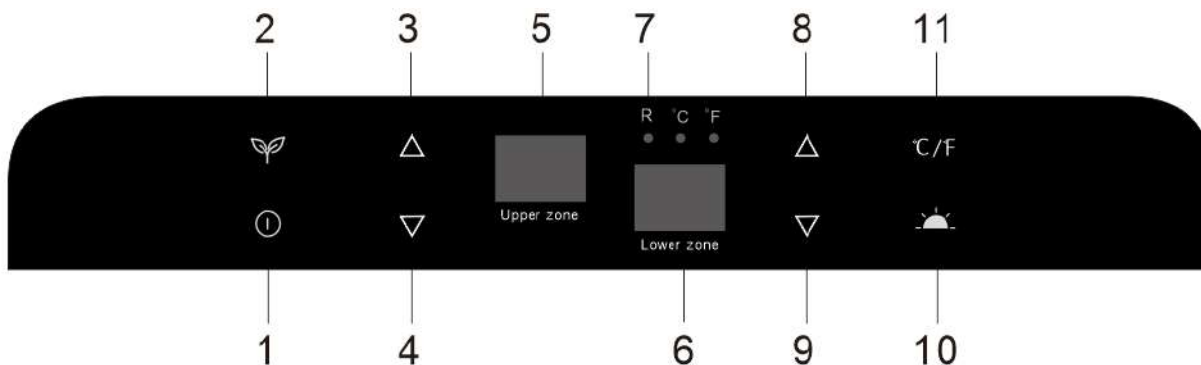
Display Mode:

The internal lights will stay constantly illuminated whether the door is open or closed.

Automatic Mode:

The internal lights will illuminate each time the door is opened and fade off once the door is closed.

## For KN165T/KM80WBC/KM80WC



KN165T: Upper and lower zones have a temperature range from 5°C to 18°C.

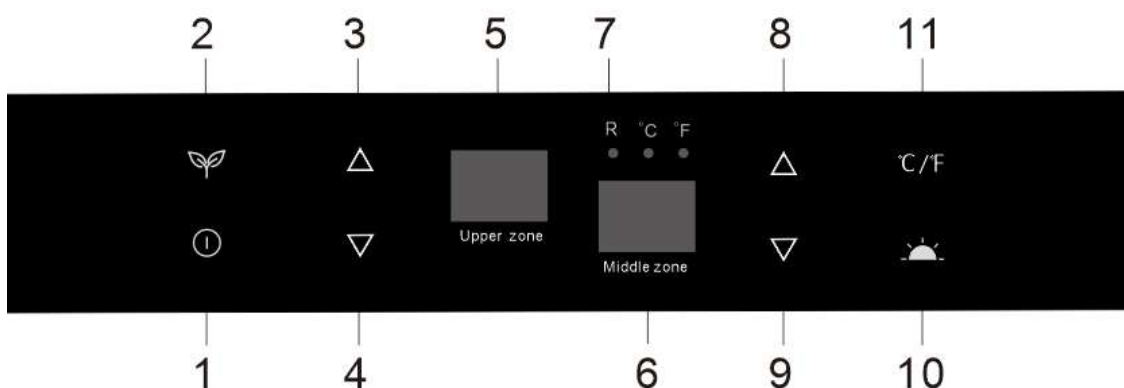
KM80WBC/KM80WC: Upper zone – temperature range 5°C to 18°C.

Lower zone – temperature range 3°C to 18°C.

1. Press and hold this button for three seconds to power your unit on or off.
2. Sabbath mode button.
3. Press this button to increase the temperature by one (1) degree increment for upper zone.
4. Press this button to decrease the temperature by one (1) degree increment for upper zone.
5. Display the actual temperature for upper zone.
6. Display the actual temperature for lower zone.
7. While the unit is on, the R light may illuminate to indicate the internal compressor is active.
8. Press this button to increase the temperature by one (1) degree increment for lower zone.
9. Press this button to decrease the temperature by one (1) degree increment for lower zone.
10. Press this button to switch the display temperature between Fahrenheit and Celsius.
11. Press and hold this button for three seconds to power your light on or off. Press this button to cycle through the different internal light settings. There are three light settings: White, Blue and Amber.

## For KN143T:

### ➤ The controls of your Wine Chiller (the Upper and Middle zone)



Upper zone – temperature range 5°C to 18°C

Middle zone – temperature range 5°C to 10°C

1. Press and hold this button for three seconds to power your unit on or off.
2. Sabbath mode button.
3. Press this button to increase the temperature by one (1) degree increment for upper zone.
4. Press this button to decrease the temperature by one (1) degree increment for upper zone.
5. Display the actual temperature for upper zone.
6. Display the actual temperature for middle zone.
7. While the unit is on, the R light may illuminate to indicate the internal compressor is active.
8. Press this button to increase the temperature by one (1) degree increment for middle zone.
9. Press this button to decrease the temperature by one (1) degree increment for middle zone.
10. Press this button to switch the display temperature between Fahrenheit and Celsius.
11. Press and hold this button for three seconds to power your light on or off. Press this button to cycle through the different internal light settings. There are three light settings: White, Blue and Amber.

➤ **The controls of your Wine Chiller (the Lower zone)**



Lower zone – temperature range 10°C to 18°C

1. UP: Press this button to increase the temperature by one (1) degree increment
2. Down: Press this button to decrease the temperature by one (1) degree increment
3. Lower Chamber: Display the actual temperature of the lower compartment.

**NOTE:**

- If the unit is unplugged, power lost, or turned off, you must wait 3 to 5 minutes before restarting the unit. If you attempt to restart before this time delay, the Wine Chiller will not start.
- When you use the Wine Chiller for the first time or restart the Wine Chiller after having been shut off for a long time, there could be a few degrees variance between the temperature you select and the one indicated on the LED readout. This is normal and it is due to the length of the activation time. Once the Wine Chiller is running for a few hours everything will be back to normal.
- Note: During periods of high humidity, some condensation may appear on outside surfaces of cooling appliances. This condensation will disappear when humidity levels drop. For prevention it is advisable to install the appliance with sufficient ventilation in a dry and/or an air-conditioned room. Please ensure that doors are closing and sealing properly.

➤ **Door Ajar Alarm (Only for KM40WBC)**

The Wine Chiller is equipped with an audible alarm to alert you when the door has been left open.

If at any time the door has been left open for more than 3 minutes at a time, the alarm will sound and then will continue to sound until the door is closed completely or the unit is powered off.

➤ **Sabbath Mode**

To enable or disable Sabbath mode, press and hold the button for 3 seconds. The interior light and control display will go dark, until the user disables Sabbath mode.

Sabbath mode disables system responses to user-initiated activities and all external functions, including lighting, display and audible alarms. The unit will still maintain internal temperatures and set points.

➤ **Temperature Memory Function**

The Wine Chiller is equipped with a temperature memory function. If power is suddenly lost, the previously set temperature will be saved and the Wine Chiller will return to this setting once power is restored.

➤ **Temperature Alarm**

If the interior temperature is higher than 73°F (23°C), “HI” is shown on the temperature control panel and the temperature alarm will sound continuously after one hour. This indicates that the inner temperature is too high. If the inner temperature is lower than 32°F (0°C) (KM80WBC/KM80WC is lower than 28°F (-2°C)), “LO” is shown on the temperature display panel and the temperature alarm will sound continuously after 15 minutes.

➤ **Door Lock (not for KN24WR)**

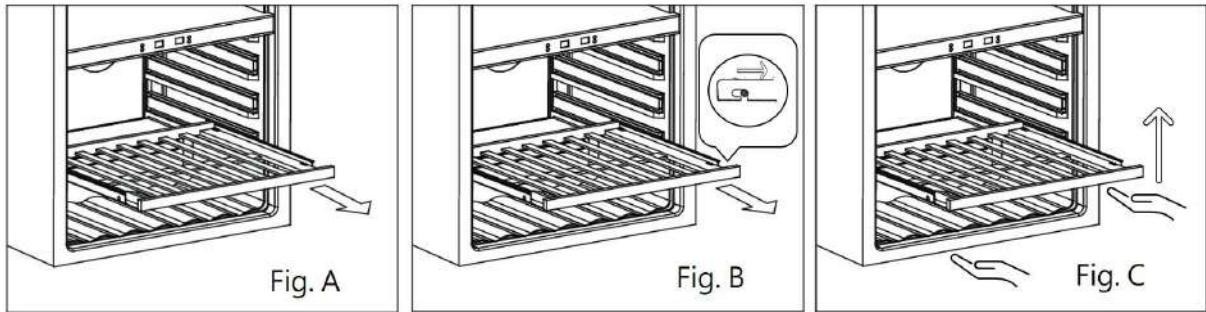
The Wine Chiller is provided with a lock and key combination.

The keys are located inside the plastic bag that contains the Instruction Manual. Insert the key into the lock and turn it counterclockwise to unlock the door. To lock the door, do the reverse operation making sure metal pin engaged completely. Remove the key and place it in a secure place for safekeeping.

➤ **How to remove the shelf**

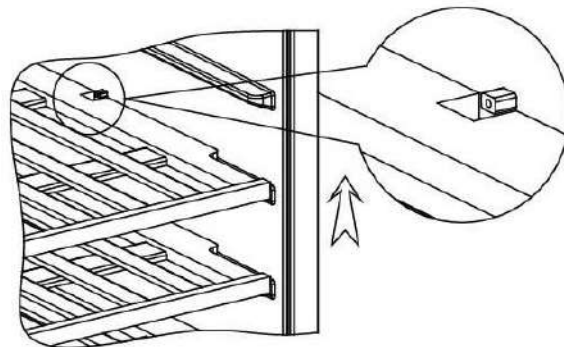
**For KM40WBC, KM80WBC, KM80WC, KN110WR/KN168EW/KN143T/KN168EWS/  
KN165T (for the display shelf)**

- To prevent damaging the door gasket, make sure to have the door all the way opened when pulling shelves out of the rail compartment.
- To Remove Shelves:
  1. Fully extend the shelf you wish to remove (Fig. A)
  2. Pull the shelf towards you until the buckle is released. (Fig. B)
  3. Holding the shelf track with both hands, push the shelf up horizontally (Fig. C)



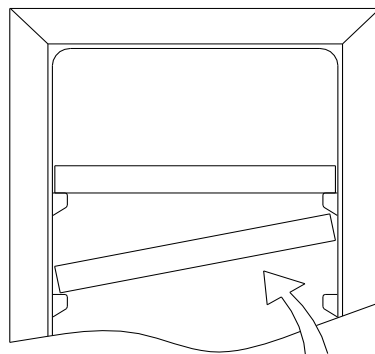
**For KN39WR/KN45WR/KN110WR/KN168EW/KN143T/KN165T/KN168EWS**

- To prevent damaging the door gasket, make sure to have the door all the way opened when pulling the bottom shelf out of the rail compartment.
- For easy access to the storage content, you must pull the shelf approximately 1/2 out of the rail compartment, however this unit was designed with a plastic post on each side of the shelf track to prevent bottles from falling.
- When removing the shelf out of the inner rail, make sure to remove all items first. Then move the shelf to the position where the notch of shelf is exactly under the plastic post and lift the shelf. In order to replace the shelf, repeat steps described above in reverse.



**For KA24WR, KM80WBC, KM80WC(half shelf)**

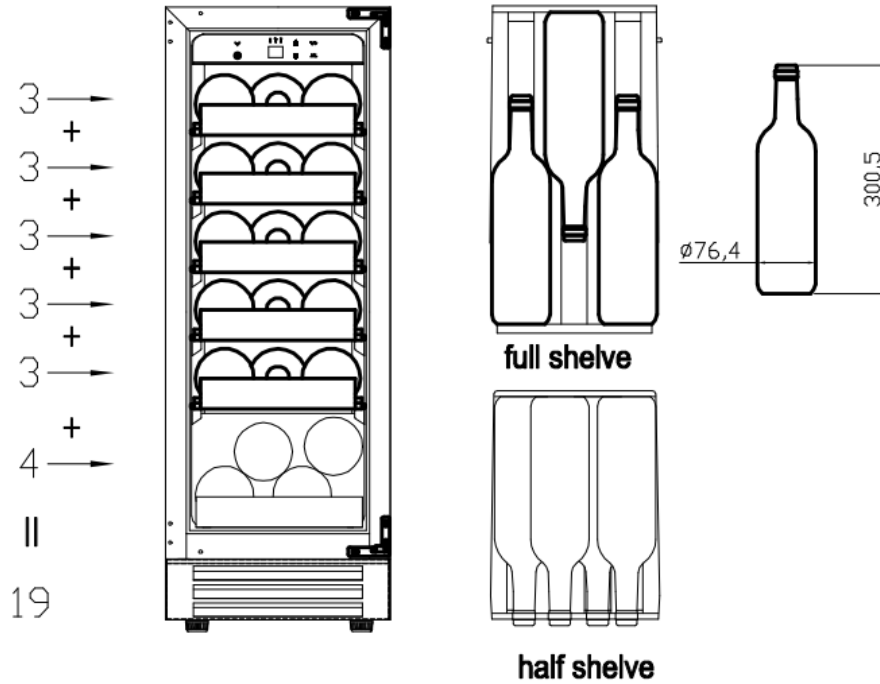
- To prevent damaging the door gasket, make sure to have the door all the way opened when pulling shelves out of the rail compartment.
- For easy access to the storage content, you must pull the shelves approximately 1/3 out of the rail compartment, however this unit was designed with a notch on each side of the shelf tracks to prevent bottles from falling.



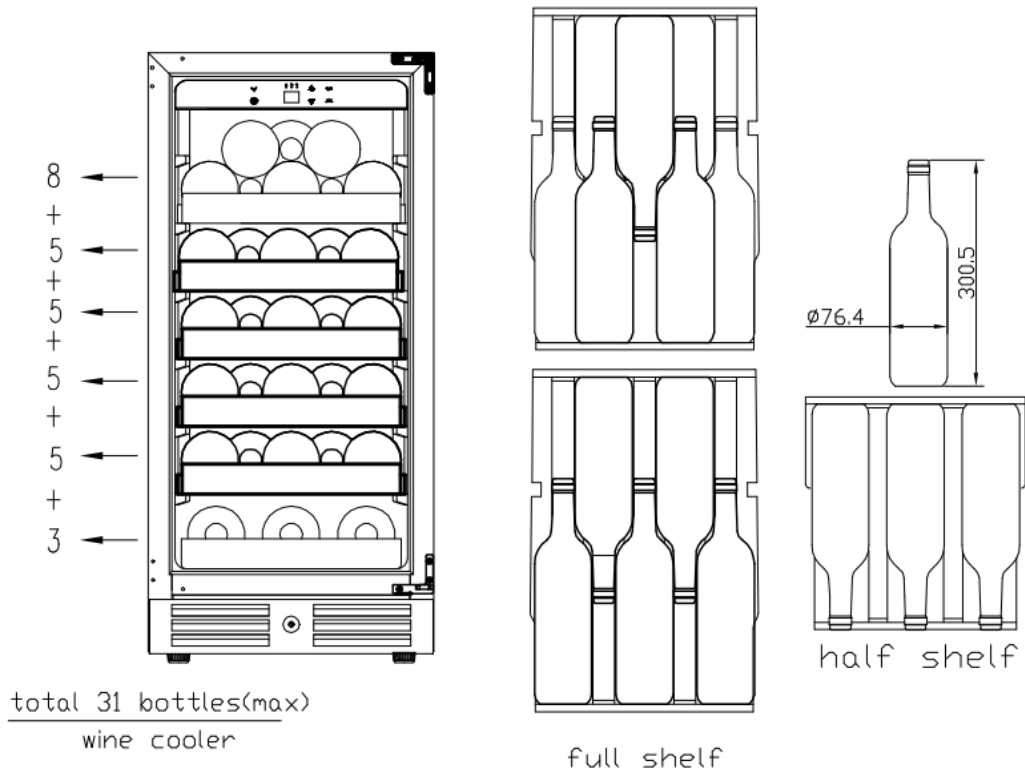
➤ **Loading**

The maximum number of bottles that can be loaded into the cabinet are for information only; this information is not contractual; it provides a means for rapidly estimating the size of the device.

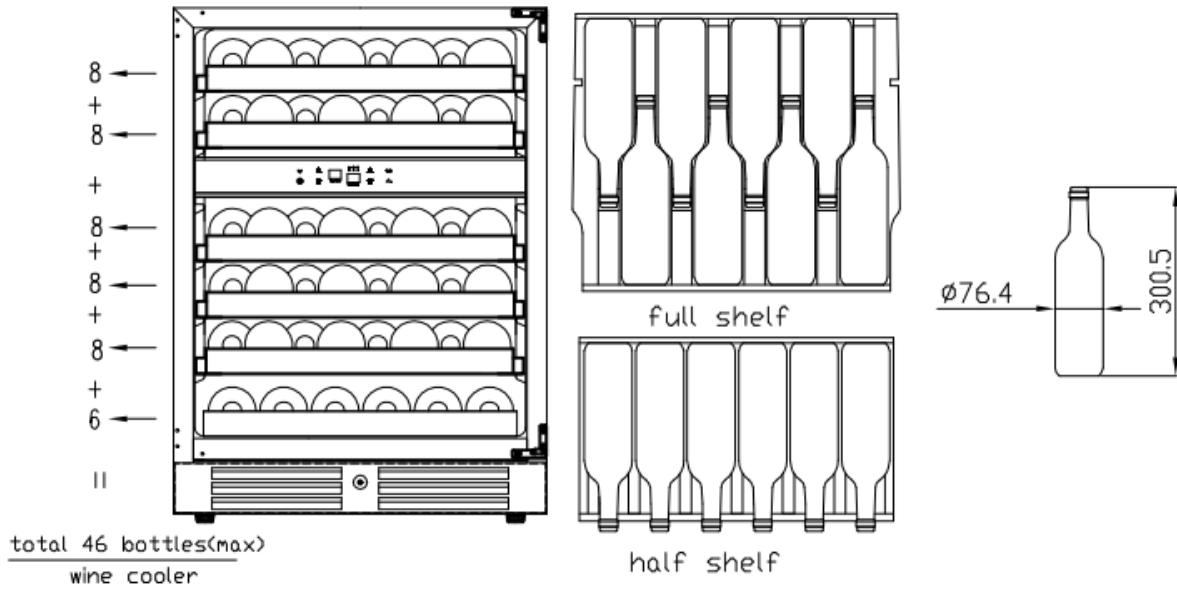
**KN24WR**



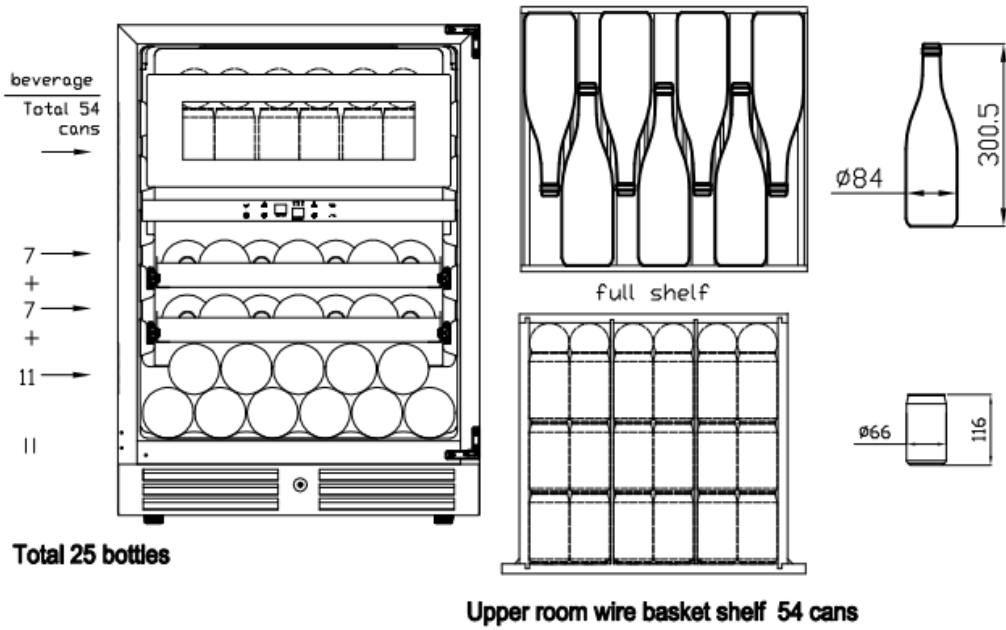
**KN39WR**



### KN45WR



### KM40WBC



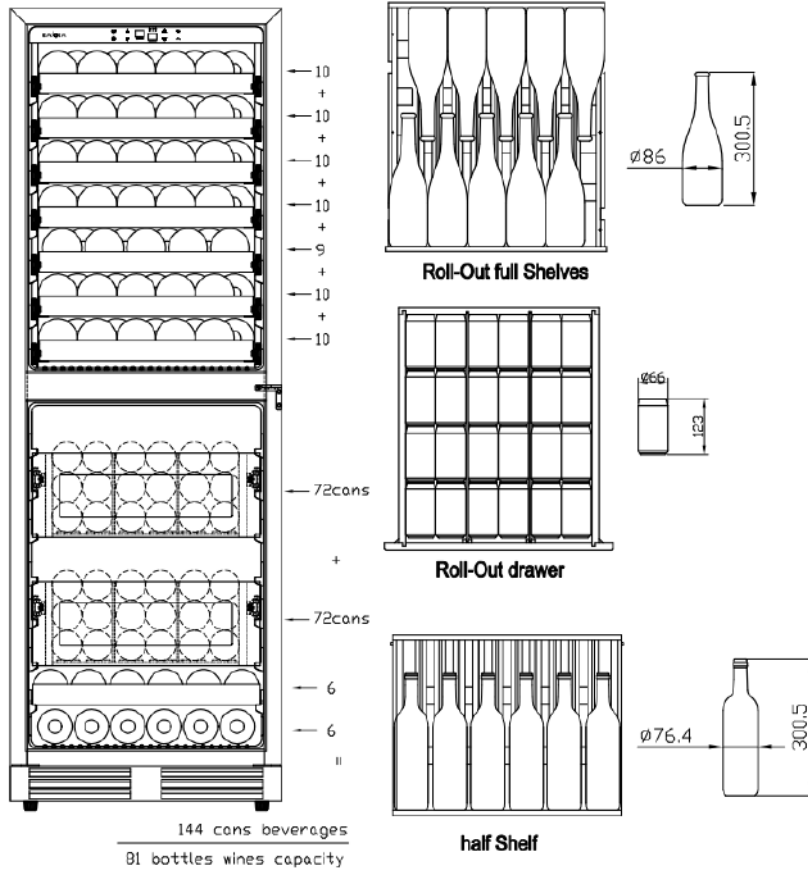




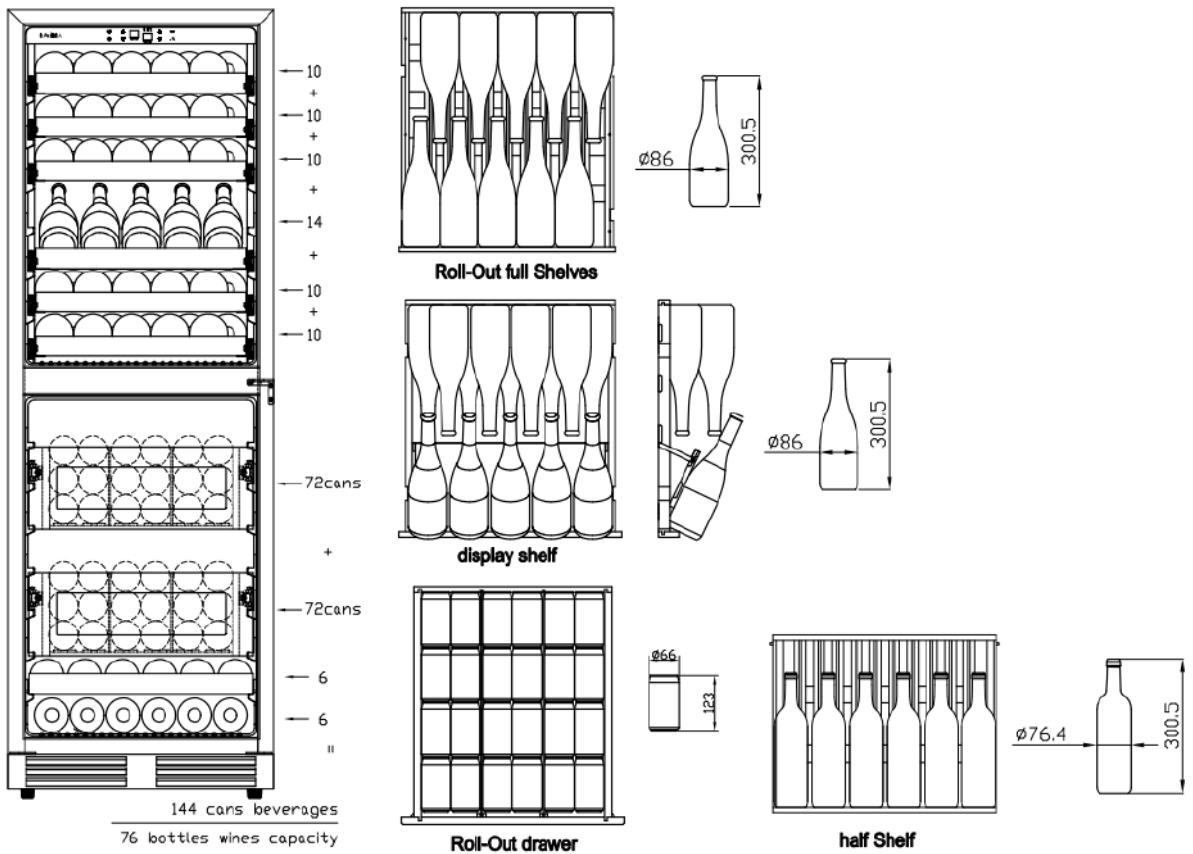




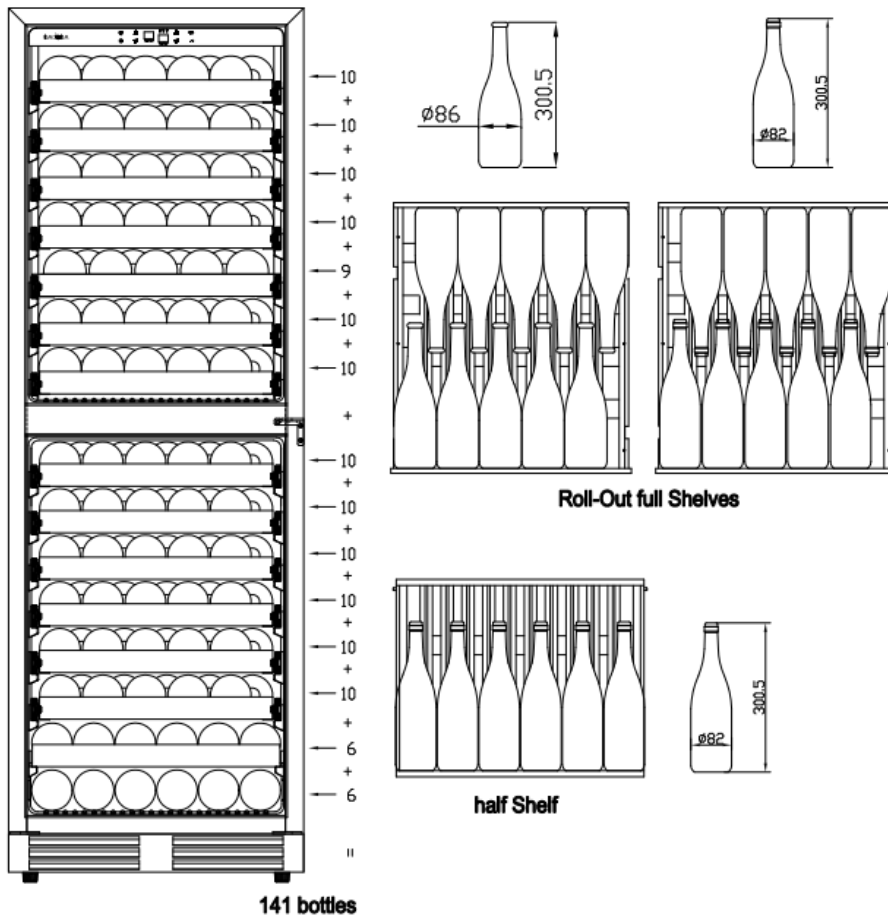
# KM80WBC



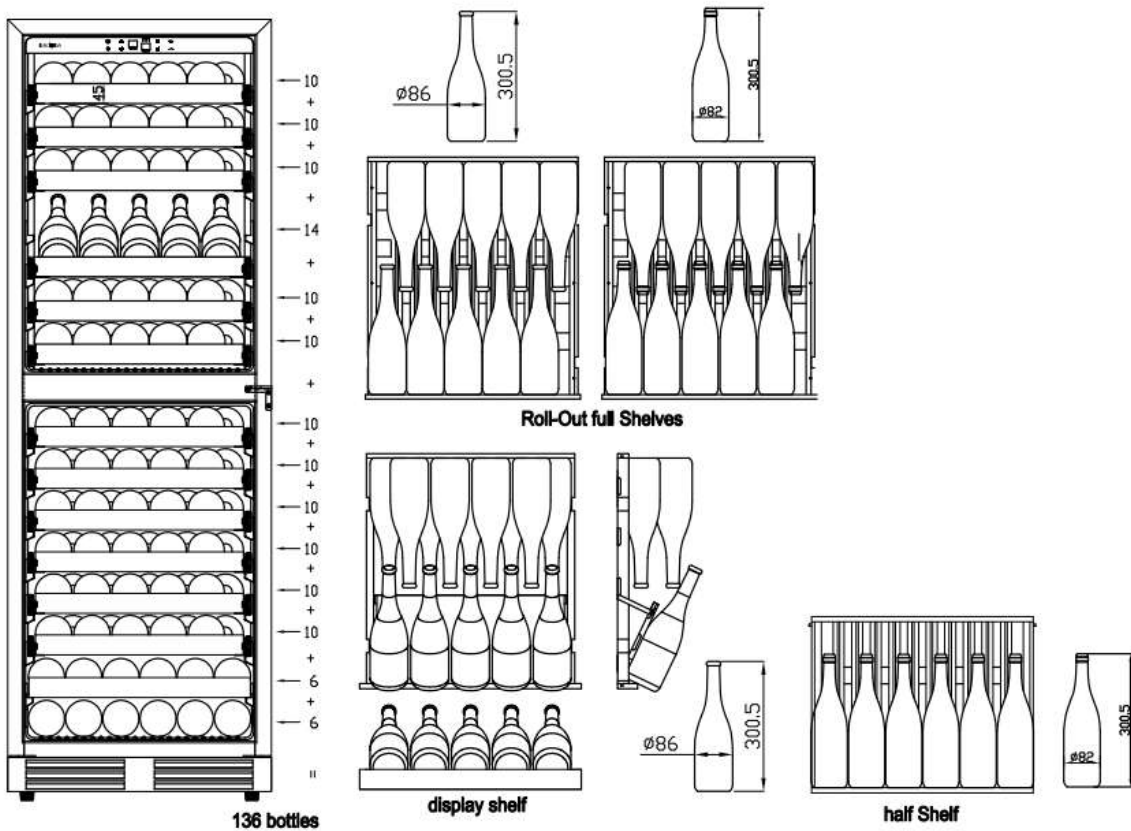
OR



# KM80WC

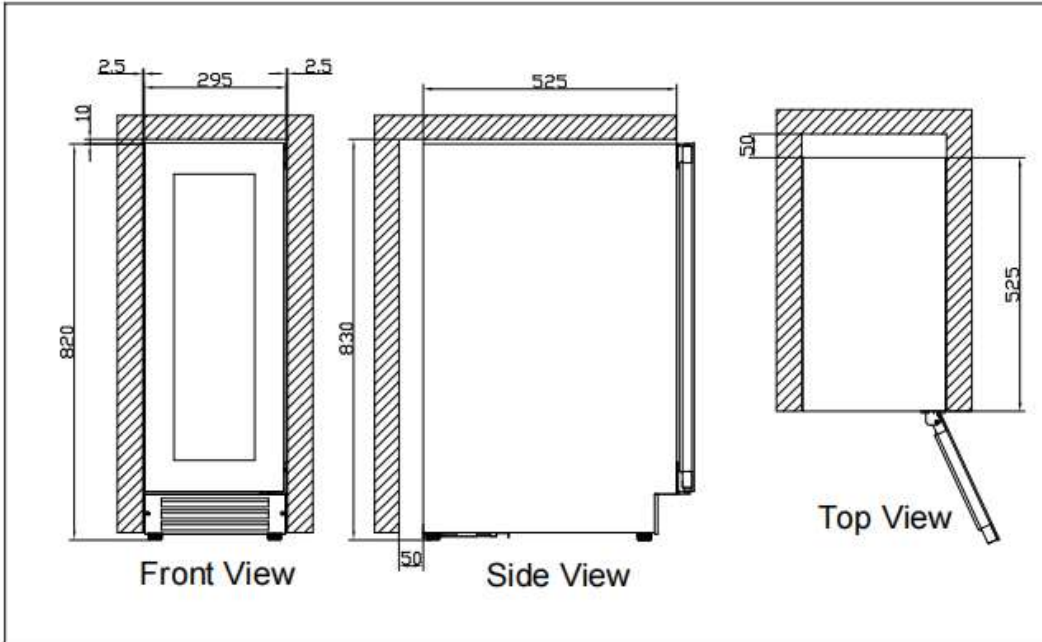


OR

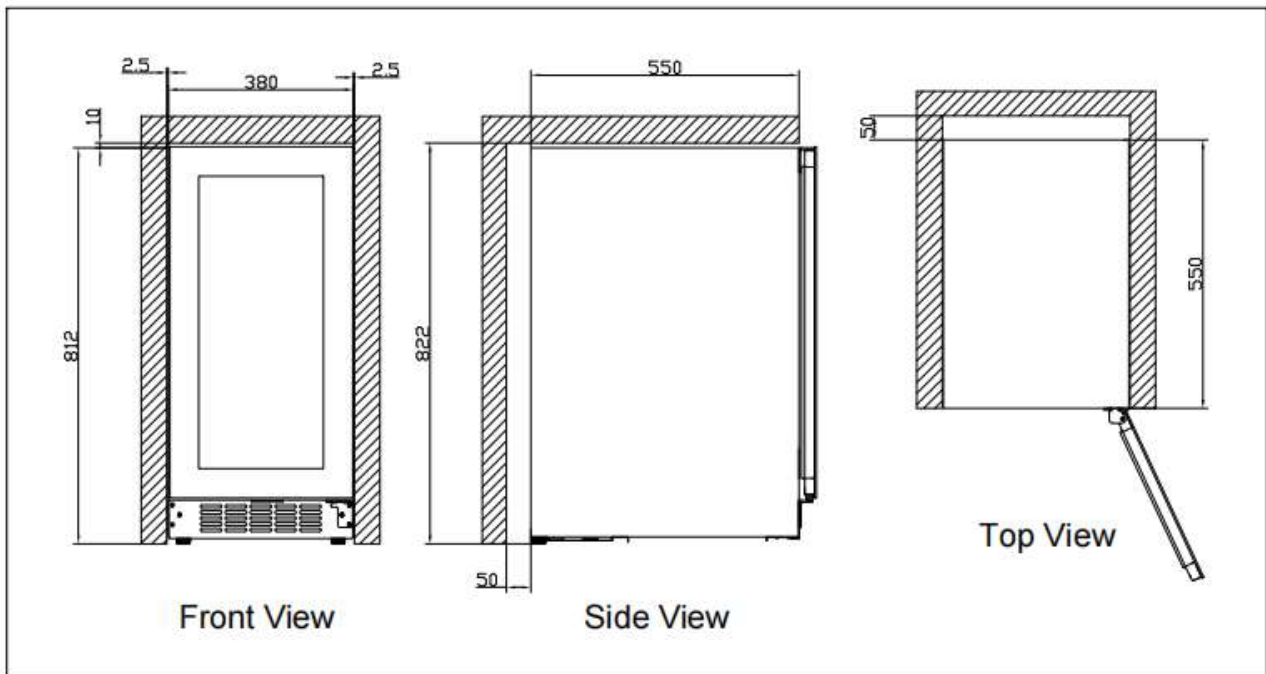


➤ Installation specifications for built-in purposes

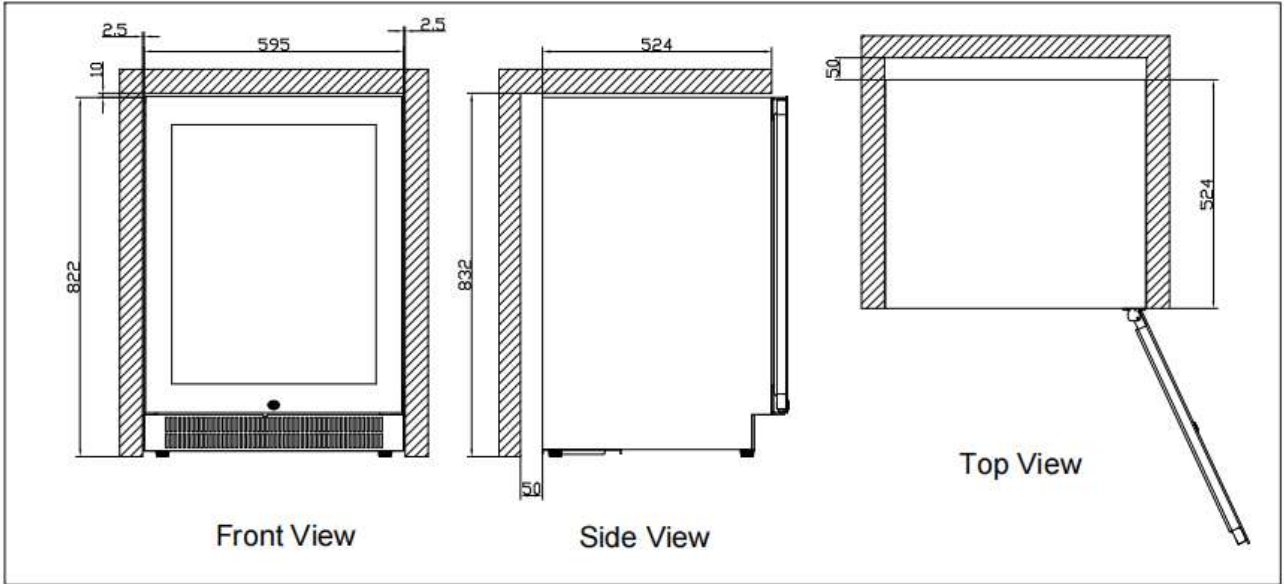
**KN24WR**



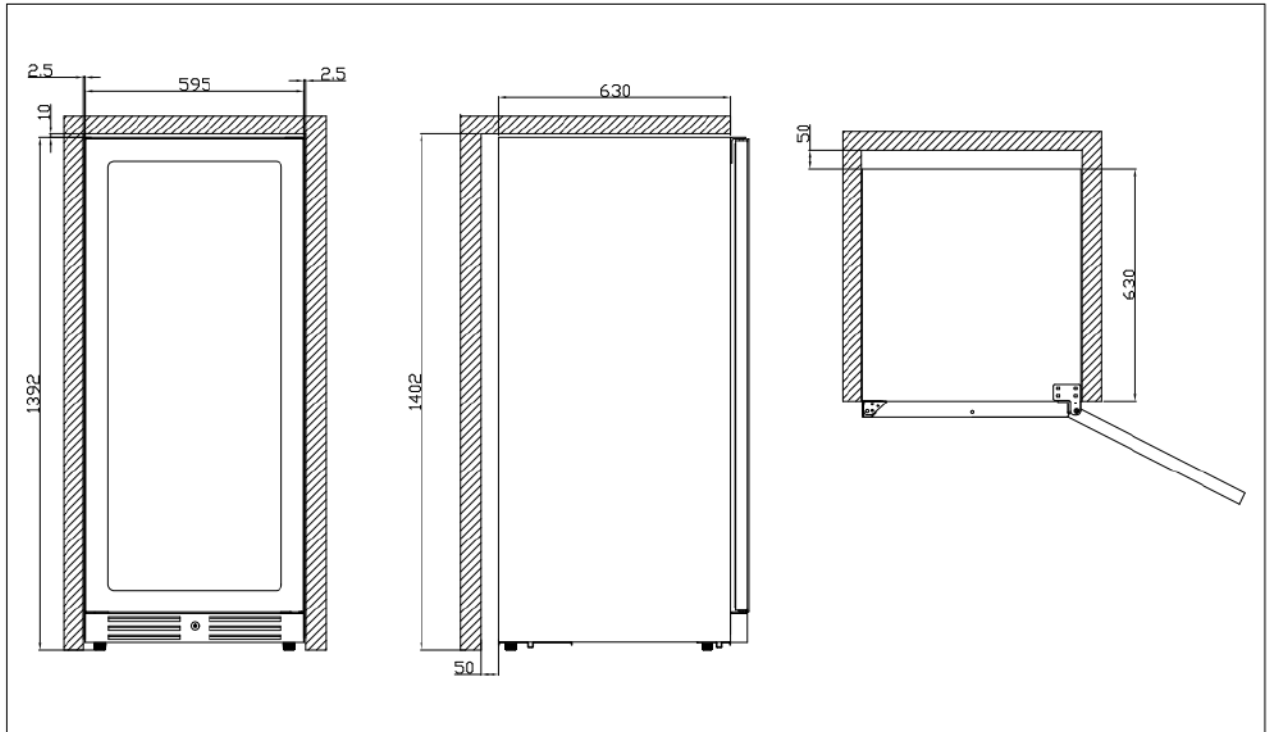
**KN39WR**



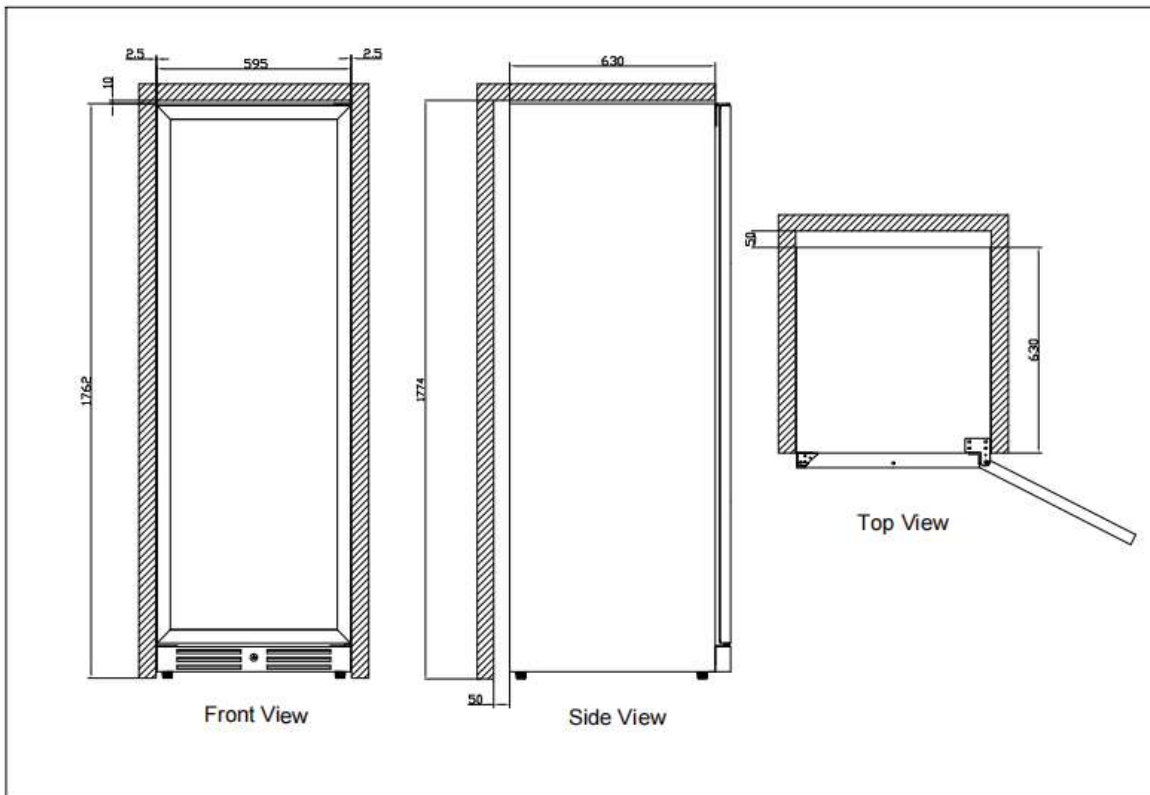
**KN45WR/KM40WBC**



**KN110WR**



**KN168EW/KN143T/KN165T/KM80WBC/KM80WC/KN168EWS**



➤ **Recommended temperature settings**

For keeping ALL TYPES OF WINES	12°C to 14°C
Champagne NV, Sparkling	6°C
Champagne Vintage	10°C
Dry White Semillon, Sauvignon Blanc	8°C
Dry White Gewurztraminer, Riesling	10°C
Dry White Chardonnay	10°C
Vintage chardonnay	14°C
Sweet White Sauternes Monbazillac, Late Harvest ice wine	10°C
Sweet whites vintage Sauternes	14°C
Beaujolais	13°C
Red Pinot Noir	16°C
Vintage Pinot noir red	20°C
Red Cabernet, Merlot, French, Australian, New Zealand, Chilean, Argentinean, Italian, Spanish, Californian	20°C
Red Grenache, Syrah	16°C

## CARE AND MAINTENANCE

### ➤ **Clean your Wine Chiller**

- Turn off the power, unplug the appliance, and remove all items including shelves and rack.
- Wash the inside surfaces with a warm water and mild solution.
- Wash the shelves with a mild detergent solution.
- Wring excess water out of the sponge or cloth when cleaning area of the controls, or any electrical parts.
- Wash the outside cabinet with warm water and mild liquid detergent. Rinse well and wipe dry with a clean soft cloth.

### ➤ **Power failure**

- Most power failures are corrected within a few hours and should not affect the temperature of your appliance if you minimize the number of times the door is opened. If the power is going to be off for a long period of time, you need to take the proper steps to protect your contents.

### ➤ **Vacation time**

- **Short vacations:** Leave the Wine Chiller operating during vacations of less than three weeks.
- If the appliance will not be used for several months, remove all items and turn off the Wine Chiller. Clean and dry the interior thoroughly. To prevent odor and mold growth, leave the door open slightly: blocking it open if necessary.

### ➤ **Moving your Wine Chiller**

- Remove all items.
- Take out the loose items inside the Wine Chiller (such as shelf), or fix the loose items with the foam.
- Turn the adjustable leg up to the base to avoid damage.
- Tape the door shut.
- Be sure the appliance stays secure in the upright position during transportation. Also protect outside of appliance with a blanket or similar items.

### ➤ **Energy saving tips**

- The Wine Chiller should be located in the coolest area of the room, away from producing appliances, and out of the direct sunlight.

### ➤ **Layout and storage**

Your Wine Chiller is designed to store a maximum number of bottles securely. We recommend that you observe the tips below to optimize loading:

- Remove tape from shelves once unit is stable and ready for storage.
- Disperse the bottles evenly to avoid concentrating weight in one place. Bottles must not touch either the back of the cabinet or the step at the bottom.
- While your Wine Chiller is designed to hold large format bottles such as Pinot Noir and Champagne, these larger bottles reduce the number of bottles you can fit on 1 shelf.
- Make sure that the bottles are not all grouped together either at the top or bottom of the Wine Chiller.
- Bottles dispersed evenly throughout the Wine Chiller will contribute to optimal cooling.
- Only pull out one rolling shelf at a time. Never attempt to pull more than one.
- Maximum weight capacity per shelf is 25 kilograms.

- **ALL THE APPLIANCES ARE DESIGNED WITH LED LIGHT, IF LED LIGHT IS DAMAGE, PLEASE CONTACT YOUR AFTER-SALES SERVICE TO REPLACE IT.**

## PROBLEMS WITH YOUR WINE CHILLER?

You can solve many common Wine Chiller problems easily, saving you the cost of a possible service call. Try the suggestions below to see if you can solve the problem before calling the Service Centre.

### TROUBLESHOOTING GUIDE

PROBLEM	POSSIBLE CAUSE
Wine chiller does not operate.	Not plugged in. The appliance is turned off. The circuit breaker tripped or a blown fuse.
Wine chiller is not cold enough.	Check the temperature control setting. External environment may require a higher setting. The door is open too often. The door is not closed completely. The door gasket does not seal properly.
Turns on and off frequently.	The room temperature is hotter than normal. A large number of contents has been added to the wine chiller. The door is open too often. The door is not closed completely. The temperature control is not set correctly. The door gasket does not seal properly.
The light does not work.	Not plugged in. The circuit breaker tripped or a blown fuse. The bulb has burned out. The light button is "OFF".
Vibrations.	Check to assure that the wine chiller is level. Check to assure no parts inside the cabinet or in the compressor chamber are loose.
The wine chiller seems to make too much noise.	The rattling noise may come from the flow of the refrigerant, which is normal. As each cycle ends, you may hear gurgling sounds caused by the flow of refrigerant in your wine chiller. Contraction and expansion of the inside walls may cause popping and crackling noises. The wine chiller is not level.
The door will not close properly.	The wine chiller is not level. The door was reversed and not properly installed. The gasket is dirty. The shelves are out of position.
Condensation forms on the door.	Condensation will form on the door due to high humidity in the area. Install the appliance with sufficient ventilation in a dry and/ or air-conditioned room
Water condensation may form on the glass door.	Condensation will form on the door due to high humidity in the area. Install the appliance with sufficient ventilation in a dry and/ or air-conditioned room

注：此页为版本号及更改标记，不需要印刷。

新顺翔电器制造有限公司		修改记录		
客户型号	CAPITAL 新加坡专用	版次	更改描述	更改日期
图号	DZ1-1397	A	正式出版	2024-1-3
编制	张晓艳	B	增加型号 KM80WC，更新内容	2024-4-6
审核		C	增加型号 KN168EWS 及内容	2024-6-25

技术要求：

1. B5 印刷页面，黑白说明书；
2. 100 克普通胶板纸，订装；
3. 材料需符合 ROHS 和 REACH 指令要求；
4. 印刷排版要工整清晰。