



INSTRUCTION MANUAL

Kadeka Signature

KS54TL KS54TR

KS106TL KS106TR

KS194TL KS194TR

This manual contains important information including safety and installation instructions of the appliances. Please read it carefully before use and follow all safety information and instructions. It is recommended to keep this manual for easy reference so that you can be familiar with the operation of the appliance.

--CONTENTS--

IMPORTANT SAFETY INFORMATION	1
DESCRIPTION OF APPLIANCE AND INSTALLATION	3
KS54TL/ KS54TR	3
KS106TL/ LS106TR	4
KS194TL/ KS194TR	5
ACCESSORY INSTALLATION BEFORE OPERATING	6
UNPACKING AND CLEANING THE WINE COOLER.....	6
LOCK & UNLOCK THE DOOR (FOR OPTION).....	6
DISPLAY SHELF (FOR OPTION)	6
OPERATING THE WINE COOLER	7
WORKING CLIMATE	7
WINE STORAGE	7
CONTROL PANEL	8
POWER ON/OFF CONTROL.....	9
UNLOCKING THE CONTROL PANEL.....	9
INTERIOR LIGHTING ON/OFF CONTROL	9
SELECTING FAHRENHEIT(°F) & CELSIUS (°C) DISPLAY	10
TEMPERATURE SETTING	10
TEMPERATURE DISPLAY WINDOW	11
CARE AND MAINTENANCE	12
CLEANING THE WINE COOLER.....	12
REMOVING THE SHELVES	13
POWER FAILURE.....	13
MOVING THE WINE COOLER	13
ENERGY SAVING TIPS.....	13
TROUBLESHOOTING	14

Please remove all packaging, stickers and films from the products surface and clean the product's surfaces with a damp cloth and mild detergent before using for the first time.

Let the appliance stand upright for approximately **24 hours** before connecting it to the power source, which helps to reduce the possibility of a cooling-system malfunction from handling during transportation.

IMPORTANT SAFETY INFORMATION

Before using the appliance, please properly position and install it as described in this manual. To avoid the risk of fire, electrical shock, or injury when using the appliance, follow these basic precautions:

- This appliance is for domestic purposes only and is intended to be used exclusively for the storage of sealed bottled wines and beverages.
- The appliance must be positioned so that the plug is accessible.
- Make sure the voltage/current marked on the rating label corresponds with your supply voltage. Plug into a grounded 3-pin outlet, do not remove grounding pin, do not use an adapter, and do not use an extension cord.
- **Do not** connect or disconnect the electric plug with wet hands.
- To disconnect the appliance, grip the plug and pull it from the wall outlet. Never pull out by the cord.
- It is recommended that a separate circuit, serving only your appliance be provided.
- Unplug the appliance or disconnect power before cleaning, maintenance or servicing. Failure to do so can result in electrical shock or death.
- If the supply cord is damaged, it must be replaced by the manufacturer or its service agent or a similarly qualified person in order to avoid a hazard.
- The fuse (or circuit breaker) size should be **10 Amps** or higher.
- Children should be supervised to ensure that they do not play with the appliance. Cleaning and user maintenance shall not be made by children without supervision.

- To ensure proper ventilation for the appliance, the front of the unit must be completely unobstructed. Locate the unit away from direct sunlight and sources of heat (stove, heater, radiator, etc.).
- Do not attempt to repair or replace any part of the appliance unless it is specifically recommended in this manual. All other servicing should be referred to a qualified technician.
- Ensure enough people to move and install the appliance to avoid any damage to the appliance or injury to the people.
- It is important for the appliance to be leveled in order to work properly. You may adjust the appliance's feet to level it.
- Never clean the appliance parts with flammable fluids which may create a fire hazard or explosion. And do not store or use gasoline or other flammable vapors and liquids in the vicinity of the appliance.
- **Do not** use solvent-based cleaning agents or abrasives on the interior. These cleaners may damage or discolor the interior.
- **Do not** use this appliance for other than its intended purpose.
- Please keep the products away from the fire or similar glowing substance before you dispose the appliance.
- When you dispose the appliance, take off the door and leave the shelves in place so that children may not easily climb inside. And make sure the coolant circuit, particularly the heat exchanger at the back/bottom of the unit is not be damaged.



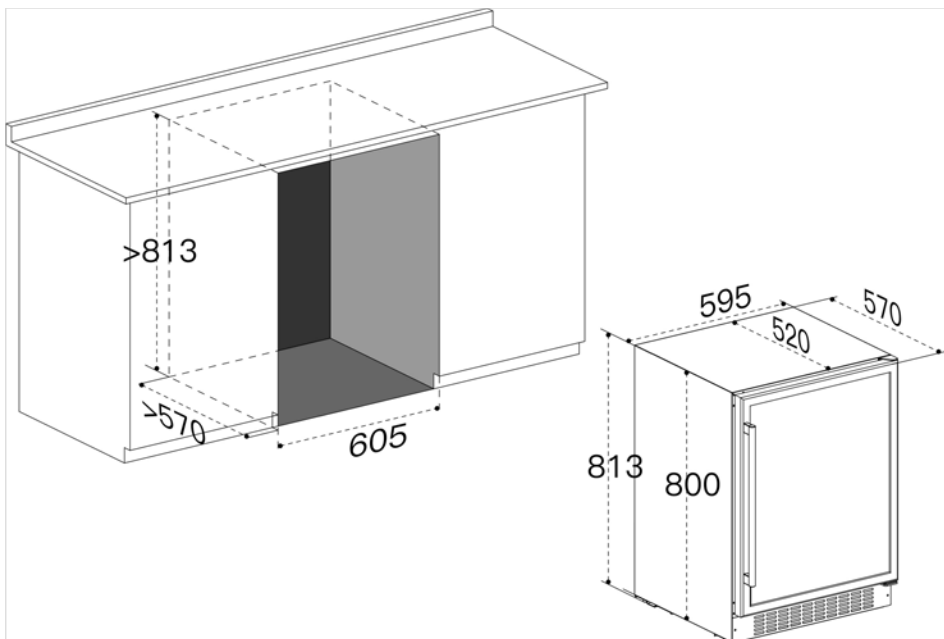
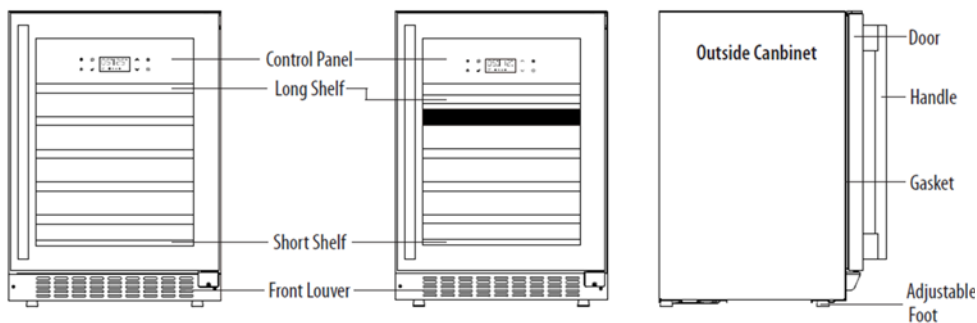
The recycle symbol on the product or its packaging indicates that this product is not to be handled as normal household waste and it is to be taken to a recycling collection point for electrical and electronic goods.

DESCRIPTION OF APPLIANCE AND INSTALLATION

The following pictures only show description of appliance. The dimension and shelf quantity may differ among the models of the same series.

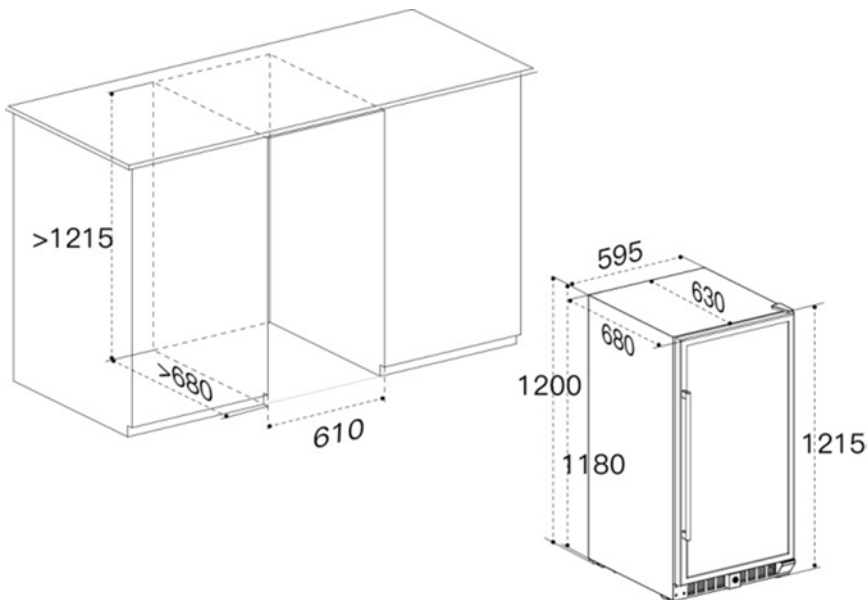
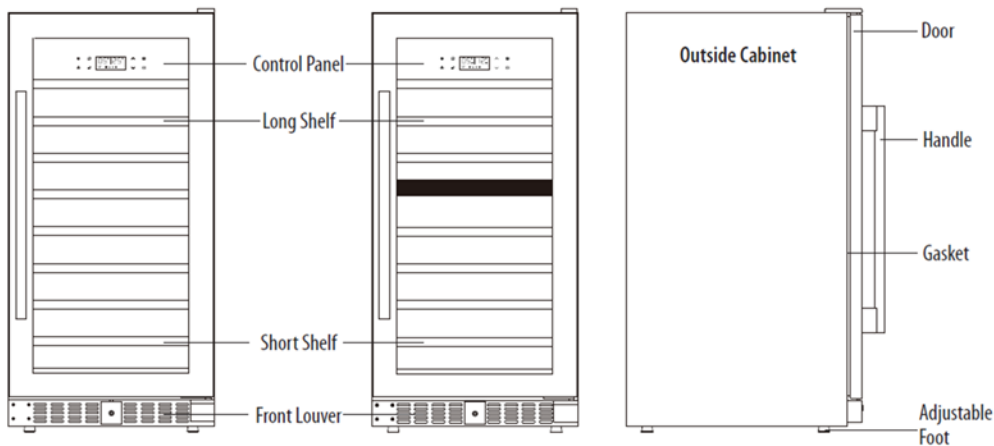
KS54TL (left door opening) KD54TR (right door opening)

Single Zone: 54 Bottles



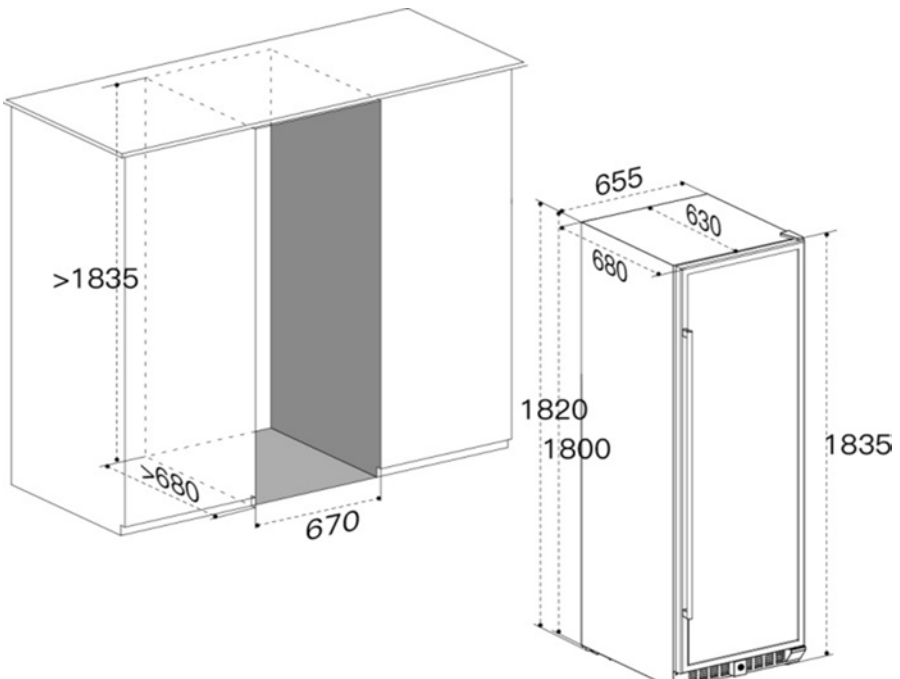
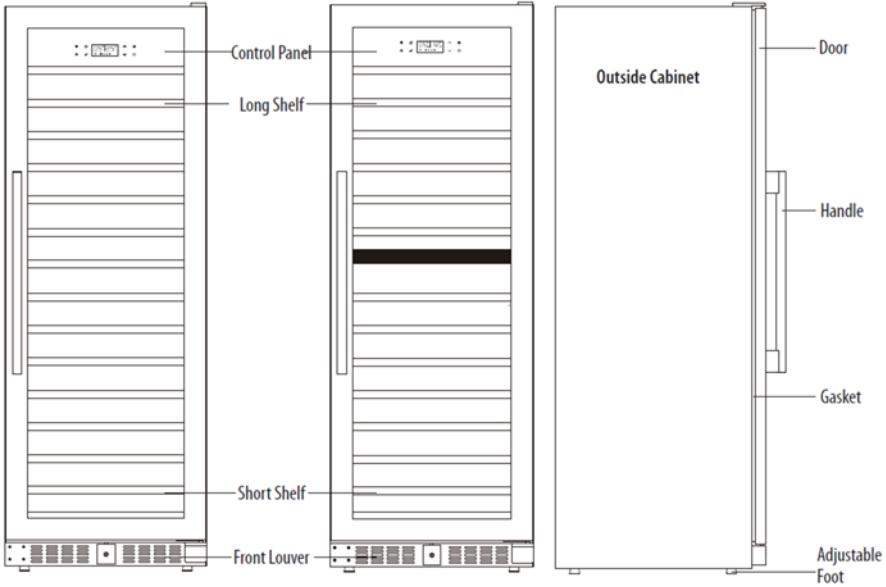
KS106TL (left door opening) KD106TR (right door opening)

Single Zone: 106 Bottles



KS194TL (left door opening) KD194TR (right door opening)

Single Zone: 194 Bottles



ACCESSORY INSTALLATION BEFORE OPERATING

UNPACKING AND CLEANING THE WINE COOLER

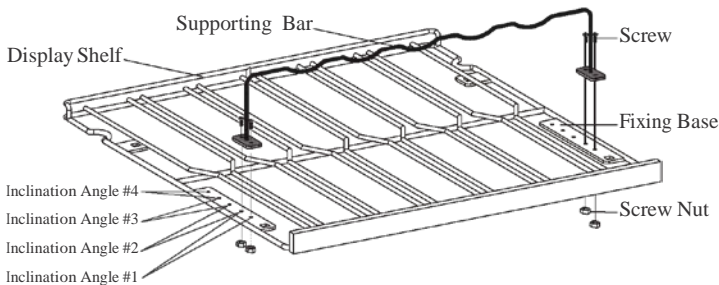
- Remove the exterior and interior packing materials.
- Let the appliance stand upright for approximately 24 hours before connecting it to the power source, which helps to reduce the possibility of a cooling-system malfunction from handling during transportation.
- Use a soft cloth to clean the interior surface with lukewarm water.

LOCK & UNLOCK THE DOOR

- A key should be attached inside the packing of this Manual.
- Insert the key into the lock and turn it counter-clockwise to unlock the door. To lock it, please turn clockwise. Please save the key well.

DISPLAY SHELF (FOR OPTION)

- If your Wine Cooler is equipped with a display shelf. To set it up, please screw the supporting bar to the fixing base of the display shelf (as image below). The supporting bar will an accessory packed with the unit.



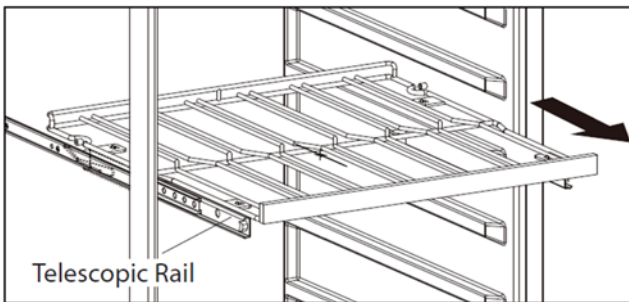
OPERATING THE WINE COOLER

WORKING CLIMATE

- The appliance is designed for operating under T climate. (see below climate class chart). It is recommended to maintain the ambient temperature below 35°C which helps the appliance working with low power consumption.
- If the ambient temperature is above or below the designed climate range, the performance of the unit may be affected.
- During periods of high humidity, some condensation may appear on outside surfaces of cooling appliances. This condensation will disappear when humidity levels drop.
- For prevention, it is advisable to install the appliance with sufficient ventilation in a dry and/or an air-conditioned room. Please ensure that doors are closing and sealing properly

WINE STORAGE

- The standard shelves are designed perfectly for Bordeaux bottle storage. The maximum loaded bottles may vary subject to the different size or dimension wine bottles you store.
- The shelves with telescopic rails can be pulled out for easy access to the wine storage, for 3-fold telescopic rails, max 70% can be pulled out.



- To prevent damaging the door gasket, make sure to have the door opened fully all the way before pulling the shelves out.
- Please store wine in sealed bottles.
- Do not cover the shelves with aluminum foil or any other shelf material which may prevent air circulation.

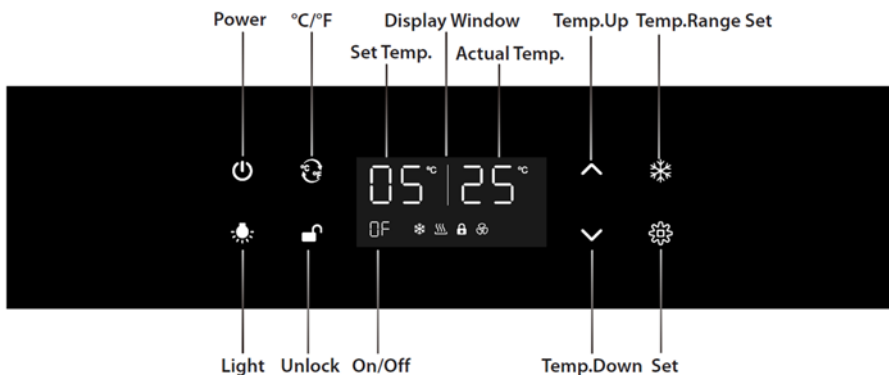
- Should the wine cooler be left empty for long periods it is suggested that the appliance is unplugged, and after careful cleaning, leave the door ajar to allow air to circulate inside the cabinet in order to avoid possible condensation, mold or odours forming.

Recommended temperatures for chilling/storing your wines.

Wine Type	Recommender Temp†
Red Wines	15 - 18°C (59°F-64°F)
Dry/White Wines	9 - 14°C (48°F-57°F)
Rose Wines	10 - 11°C (50°F-52°F)
Sparkling Wines	5 - 8°C (41°F-46°F)

CONTROL PANEL

- For Single Zone



POWER ON/OFF CONTROL



POWER



Warning!

- Press to turn on the control panel back light buttons if they are off.
- To turn off your wine chiller for cleaning or extended absence, press the power button once. After the unit beeps once, hold the power button for **10 seconds** and your wine chiller will shut itself off. Once the wine chiller has been turned off, please allow at least **5 minutes** before starting up again. This will limit excessive wear on the compressor
- To avoid damaging the compressor, please do not turn on the appliance again within 5 minutes after you turned it off.

UNLOCKING THE CONTROL PANEL



Unlock

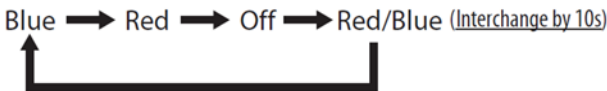
- Press for 3 seconds to unlock the control panel.

INTERIOR LIGHTING ON/OFF CONTROL



Light

- Your wine cellar comes equipped with 3 different lighting options: Red, Blue, or a Red & Blue cycle where the color changes every 10 seconds. Press the light button once and the lights will run on a 10-second cycle, alternating between Red & Blue. Press the light button again and the color will change to only Blue. Press the light button again and the color will change to Red. Finally, pressing a button a 4th time will turn off the lights.



SELECTING FAHRENHEIT (°F) & CELSIUS (°C) DISPLAY



- Press to alter the temperature display in Fahrenheit or Celsius.

TEMPERATURE SETTING



Set

- Press to set temperature. The digital flashes to inform the accessibility to adjust setting.



Temp Up

- Press to increase setting temperature by 1°.



Temp
Down

- Press to decrease setting temperature by 1°.



Temp
Range
Set

- Press to change the temperature set-range among E, F, H, L, and leave it for 3 seconds to confirm your option. Your wine cellar is originally set as “E”, the ideal temperature for the storage of red wine.

Display	Temp Range
E (Default)	5 - 22 °C (41°F-72°F)
F	2 - 20 °C (36°F-68°F)
H	10 - 19 °C (50°F-66°F)
L	0 - 20 °C (36°F-68°F)

Note

The control panel will lock automatically when left untouched for 15 seconds. Make sure to unlock the control panel before setting. With the exception of the power button, all other buttons' back light will turn off when the control panel is left untouched for 15 seconds.

TEMPERATURE DISPLAY WINDOW

- Set temperature of the wine cellar.



- Actual temperature of the wine cellar.



- Display Window is on.



- Display Window is Off



The temperature display will show the set temperature when the Wine Cooler control panel is unlocked and selected to be reset, and show the actual temperature when the control panel is locked.

The display window can be set to the off position for a less obtrusive appearance. Your Wine Cooler will continue to run, but the Wine Coolers display window will not be visible. You can check the temperature of the Wine Cooler by pressing the Power button.

To set the display window to either on or off, press °C/°F button for 5 seconds while the control panel is locked.

Once the ON/OFF indicator flashes, press °C/°F a second time to enter into the option interface. “ON” will show the display window at all times while “OFF” will turn off the display window. Leave the control panel untouched for 5 seconds to confirm your option.

Note:

Temperatures may fluctuate depending on whether the interior light is ON or OFF and depending on the position of the bottles.

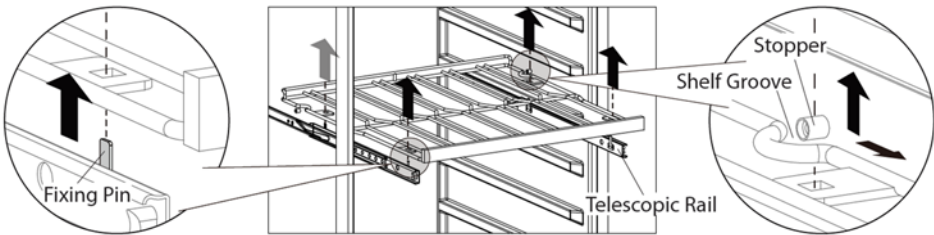
CARE AND MAINTENANCE

CLEANING THE WINE COOLER

- Turn off the power, unplug the appliance, and remove all items including shelves.
- Wipe the inside surfaces with a sponge and baking soda solution. The solution should be about 2 tablespoons of baking soda to 1 quart (approx. 1 litre) of warm water.
- Wash the shelves with a mild detergent solution. Allow wooden shelves to dry before placing back into the wine cooler.
- Wring excess water out of the sponge or cloth when cleaning area of the controls, or any electrical parts.
- Wipe the outside cabinet with warm water and mild liquid detergent. Wipe dry with a clean soft cloth.
- Do not use steel wool or steel brush on the stainless steel. These will scratch the stainless steel with steel particles and rusting may occur.

REMOVING THE SHELVES

- Before removing a telescopic shelf from the appliance, it is necessary to remove all the bottles on the Shelf ;
- Pull out the shelf to align the shelf grooves to the stoppers fixed on the inside cabinet;
- Push upward the shelf from the telescopic rails and remove it carefully.



POWER FAILURE

Most power failures are corrected within a few hours and should not affect the temperature of your appliance if you minimize the number of door openings. If the power is going to be off for a longer period of time, you need to take the proper steps to protect your wines.

MOVING THE WINE COOLER

- Remove all items.
- Securely tape down all loose items (shelves) inside your appliance.
- Turn the adjustable leg up to the base to avoid damage.
- Tape the door shut.
- Be sure the appliance stays secure in the upright position during transportation. Also protect outside of appliance with a blanket, or similar item.

ENERGY SAVING TIPS

- The appliance should be located away from heat producing appliances, and away from direct sunlight.
- Ensure that the unit is adequately ventilated. Never cover air vents.
- Only open the door when necessary. Avoid leaving the door open for long periods or opening/closing the door frequently.

TROUBLESHOOTING

If you feel the appliance is not working properly, follow these instructions to try to see if you can resolve the problem before calling for service.

No.	PROBLEM	POSSIBLE CAUSE / MEASURE
1	The wine cooler does not operate	Not plugged in. The appliance is turned off. The circuit breaker tripped or a blown fuse.
2	The wine cooler is not cold enough	Check the temperature control setting. External environment may require a higher setting. The door is opened too frequently. The door is not closed completely. The door gasket does not seal properly.
3	Automatically turn-on and turn-off frequently	The room temperature is hotter than normal. A large amount of contents has been added to the wine cooler. The door is opened too frequently. The door is not closed completely. The temperature control is not set correctly. The door gasket does not seal properly.
4	The lighting does not work	Not plugged in. The circuit breaker tripped or a blown fuse. The lighting is turned off.
5	Too much vibration	Check to assure that the appliance is level. Check to assure no parts inside the cabinet or in the compressor chamber are loose.
6	The wine cooler seems to make too much noise	The rattling noise may come from the flow of the refrigerant, which is normal. As each cycle ends, you may hear gurgling sounds caused by the flow of refrigerant. Contraction and expansion of the inside walls may cause popping and crackling noises. The appliance is not level.
7	The door will not close properly.	The wine cooler is not level. The gasket is dirty. The shelves are out of position.
8	The display window is shown with "HH" or "LL" instead of a digital figure, and/or with continuous buzz sound.	The temperature probe is out of order.